

Sunchain



2025 DRAWER SLIDE

Sun Chain is a primary source of design, development and manufacturing for major furniture fittings and functional hardware brands around the world. We specialize in working with our partners on collaborative designs to make distinctive, lasting and substantial improvements in their performance and to produce great products that attracts, excites and retain their customers.

Since 1975 Sun Chain is the trusted partner for OEM / ODM furniture hardware and leading one stop source in Asia. We have our own manufacturing facilities in Taiwan, China and Vietnam to provide the most competitive advantage to our customers.

Our highly dependable and enthusiastic team take a customer centric approach to achieve the highest standards to meet your specific needs. Our 50 years of industry knowledge, supply chain relationships and absolute integrity enable us to support you to reach a solution that will effectively reduce your risks and give you peace of mind.

Shaping the future together. We believe that your success is our success.

Go for it, we've got your back!

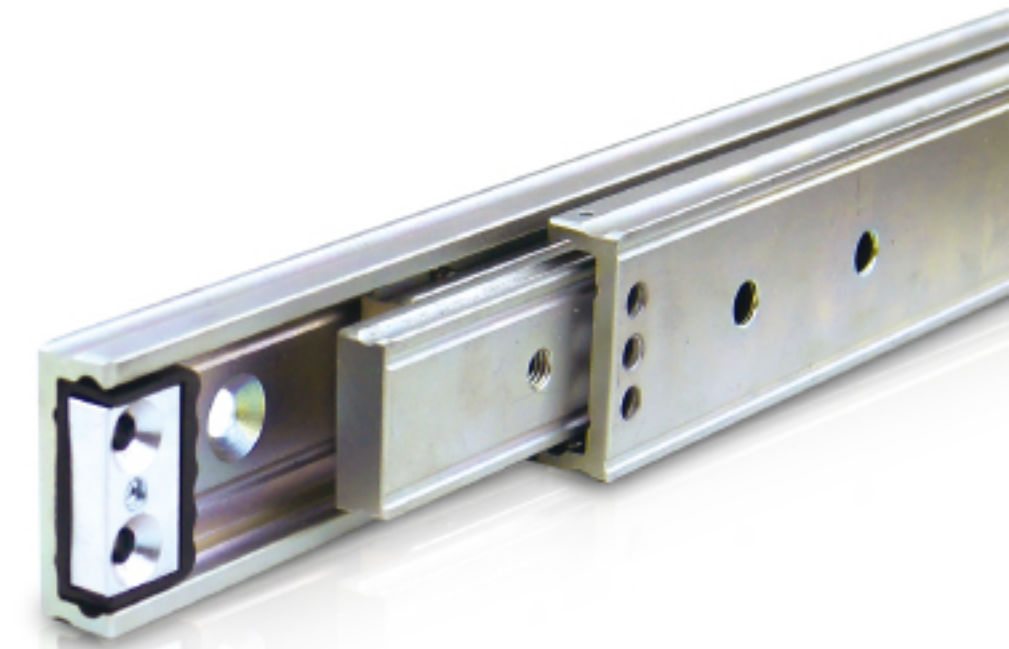


YOUR RELIABLE PARTNER FOR LINEAR MOTION

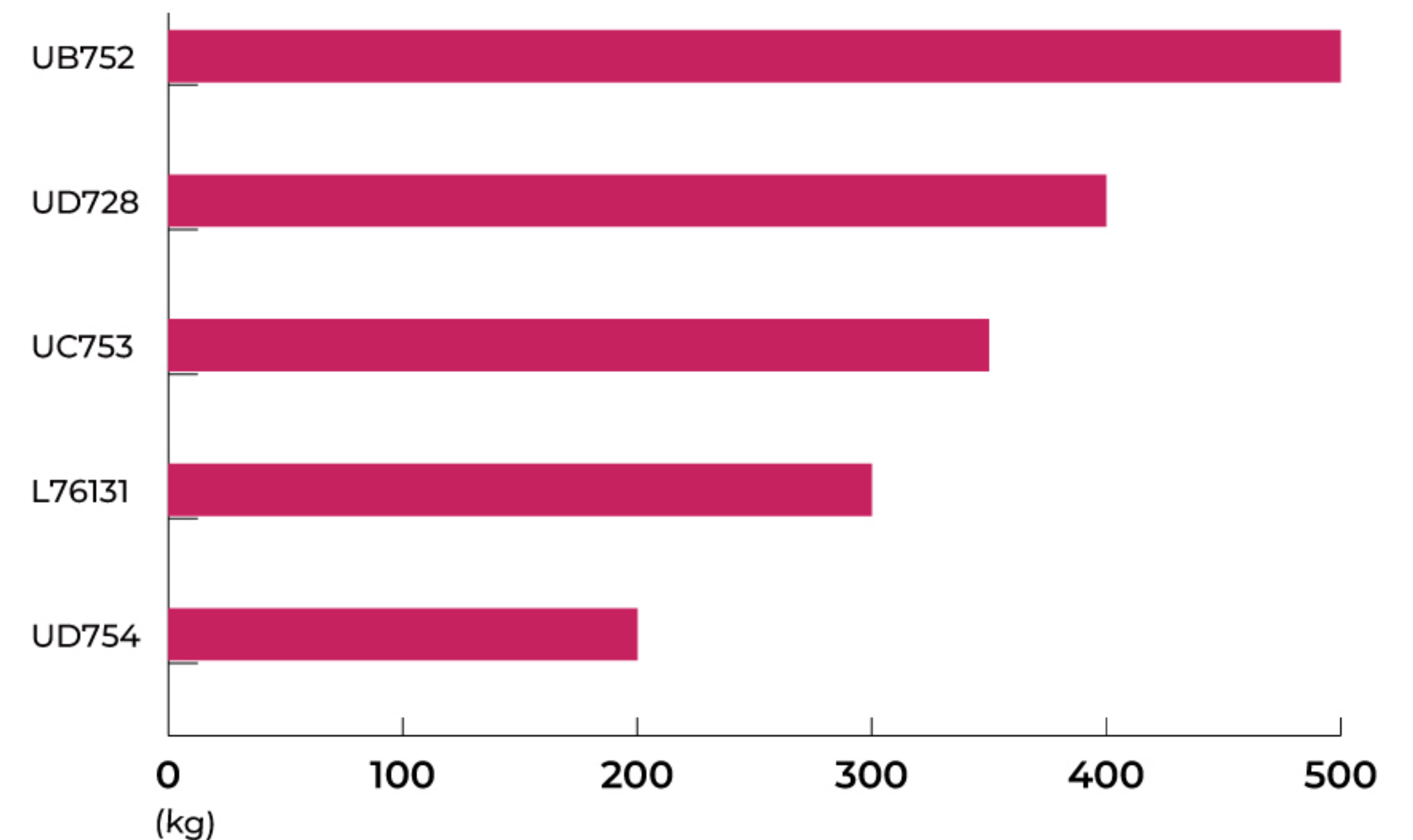
We are the integrated solution provider for design, manufacture, and specific test at the telescopic linear motion slides. The super heavy duty series provide the compact dimension, rigidity and high load capacity.

Also various material and surface treatment are available to different corrosion condition. At the same time our dependable team takes the quick response to meet your engineering specifications.

- The super heavy duty slides application
- Emergency vehicles and transportation
- Enclosures for data storage and communication
- Machinery and tool storage

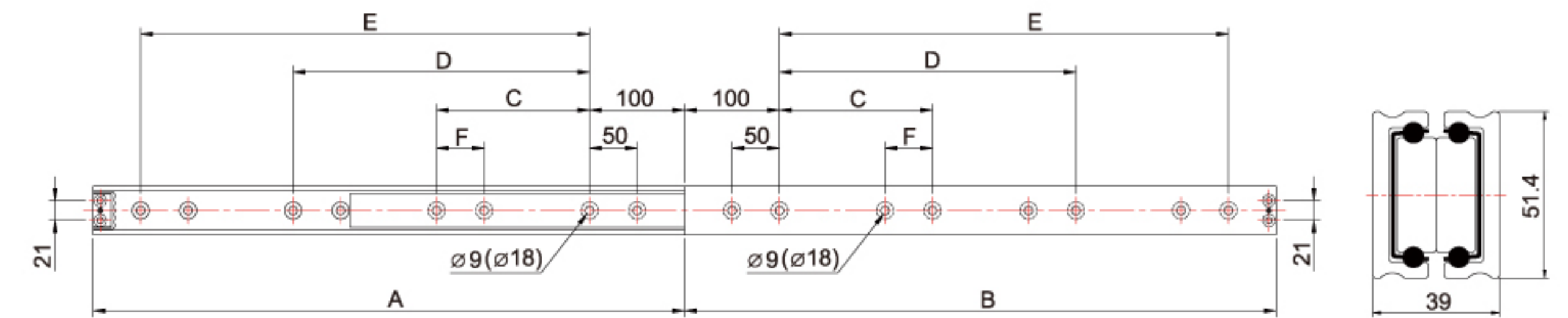
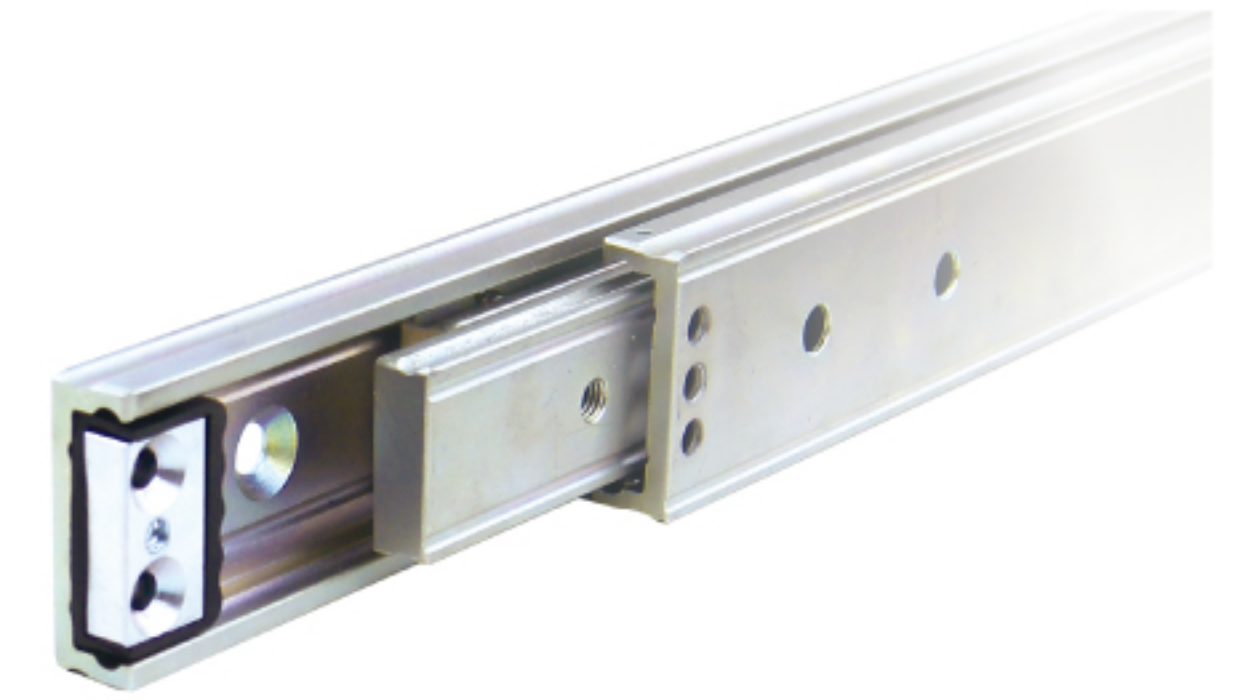


Loading for Super Heavy Duty Slide



Item No.	Profile	Available Features / Applications Industries
UB752		Super Robust 
UD728		Two-way Travel 
UC753		Cold Drawn Solid Steel 
L76131		Non-Lock-in / Lock out (L72120) 
UD754		150% Over Extension  

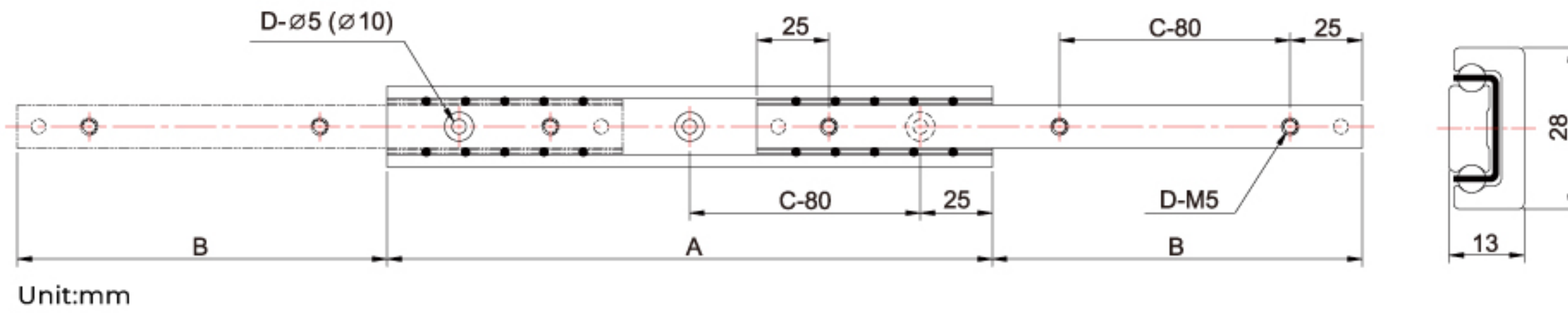
UB752



1/4" (M6) or #10 (M5) 90° flat Head Screws / Unit:mm

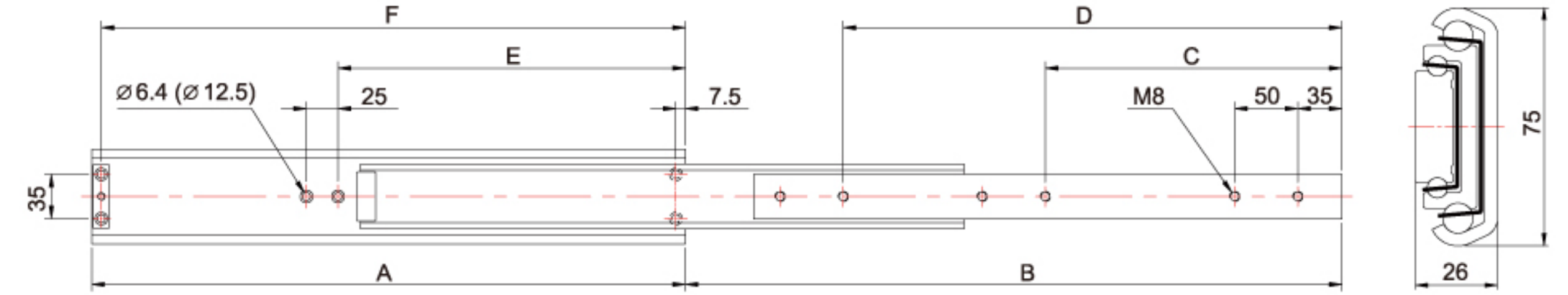
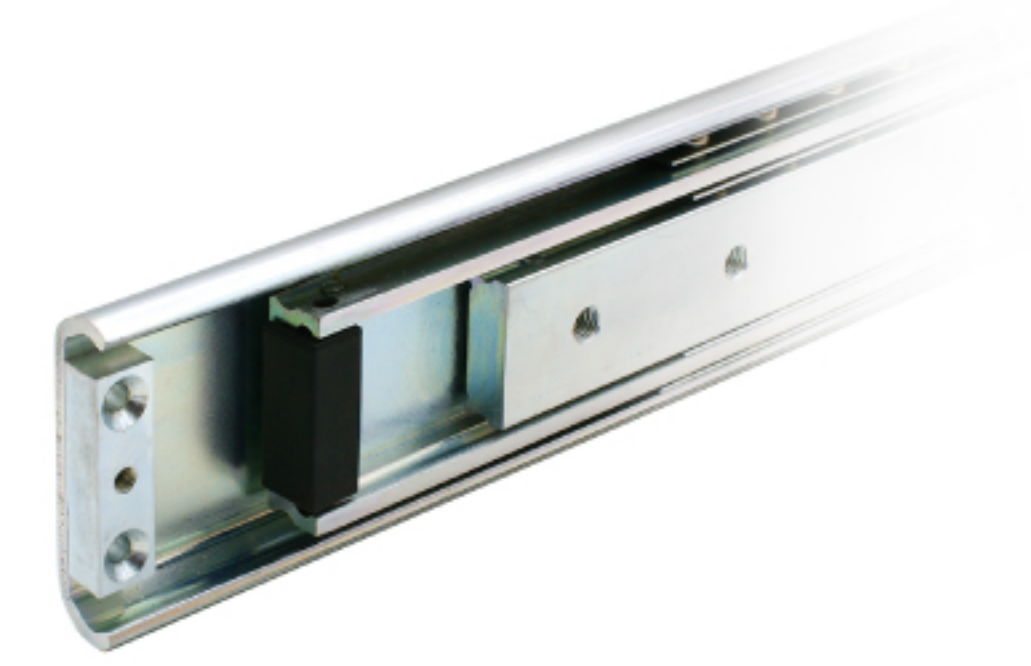
Item No.	A Slide Length	B Slide Travel	C	D	E	F
UB752-400	400	400	-	-	250	-
UB752-450	450	450	-	-	300	-
UB752-500	500	500	175	-	350	-
UB752-550	550	550	200	-	400	-
UB752-600	600	600	225	-	450	-
UB752-650	650	650	250	-	500	-
UB752-700	700	700	275	-	550	-
UB752-750	750	750	300	-	600	-
UB752-800	800	800	325	-	650	-
UB752-850	850	850	233.5	467	700	50
UB752-900	900	900	250	500	750	50
UB752-950	950	950	267	534	800	50
UB752-1000	1000	1000	283.5	567	850	50

UD728



Item No.	A Slide Length	B Slide Travel	C	D
UD728-130	130	74	-	2
UD728-210	210	116	1	3
UD728-290	290	148	2	4
UD728-370	370	190	3	5
UD728-450	450	232	4	6
UD728-530	530	274	5	7
UD728-610	610	316	6	8
UD728-690	690	356	7	9
UD728-770	770	400	8	10
UD728-850	850	433	9	11
UD728-930	930	475	10	12

UC753



1/4"(M6) or #10(M5) 90° flat Head Screws / Unit:mm

Item No.	A Slide Length	B Slide Travel	C	D	E	F
UC753-300	300	310	185	-	-	292.5
UC753-350	350	360	235	-	-	342.5
UC753-400	400	410	285	-	-	392.5
UC753-450	450	460	335	-	-	442.5
UC753-500	500	510	385	-	-	492.5
UC753-550	550	560	235	435	275	542.5
UC753-600	600	610	260	485	300	592.5
UC753-650	650	660	285	535	325	642.5
UC753-700	700	710	310	585	350	692.5
UC753-750	750	760	335	635	375	742.5
UC753-800	800	810	360	685	400	792.5
UC753-850	850	860	385	735	425	842.5
UC753-900	900	910	410	785	450	892.5
UC753-950	950	960	435	835	475	942.5
UC753-1000	1000	1010	460	885-	500	992.5

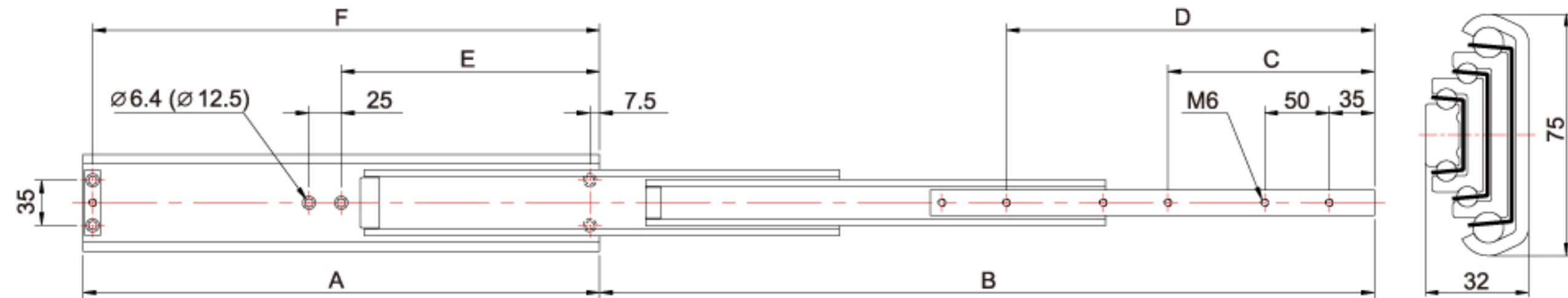
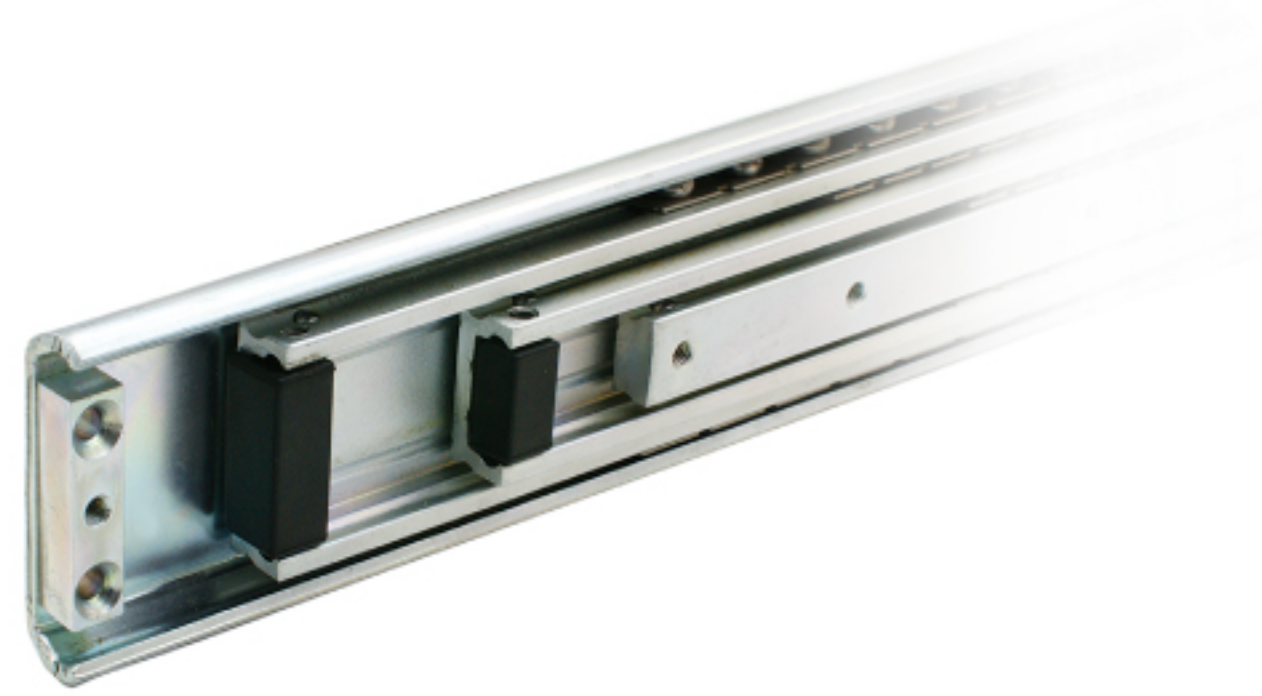
UD754

200 kg

150%
Ultra Extension

32^{+0.4}₋₀
Installation Space

TAIWAN
EXCELLENCE 2015



1/4"(M6) or #10(M5) 90° flat Head Screws / Unit:mm

Item No.	A Slide Length	B Slide Travel	C	D	E	F
UD754-300	300	450	185	-	-	292.5
UD754-350	350	525	235	-	-	342.5
UD754-400	400	600	160	285	200	392.5
UD754-450	450	675	185	335	225	442.5
UD754-500	500	750	210	385	250	492.5
UD754-550	550	825	235	435	275	542.5
UD754-600	600	900	260	485	300	592.5
UD754-650	650	975	285	535	325	642.5
UD754-700	700	1050	310	585	350	692.5
UD754-750	750	1125	335	635	375	742.5
UD754-800	800	1200	360	685	400	792.5
UD754-850	850	1275	385	735	425	842.5
UD754-900	900	1350	410	785	450	892.5
UD754-950	950	1425	435	835	475	942.5
UD754-1000	1000	1500	460	885	500	992.5

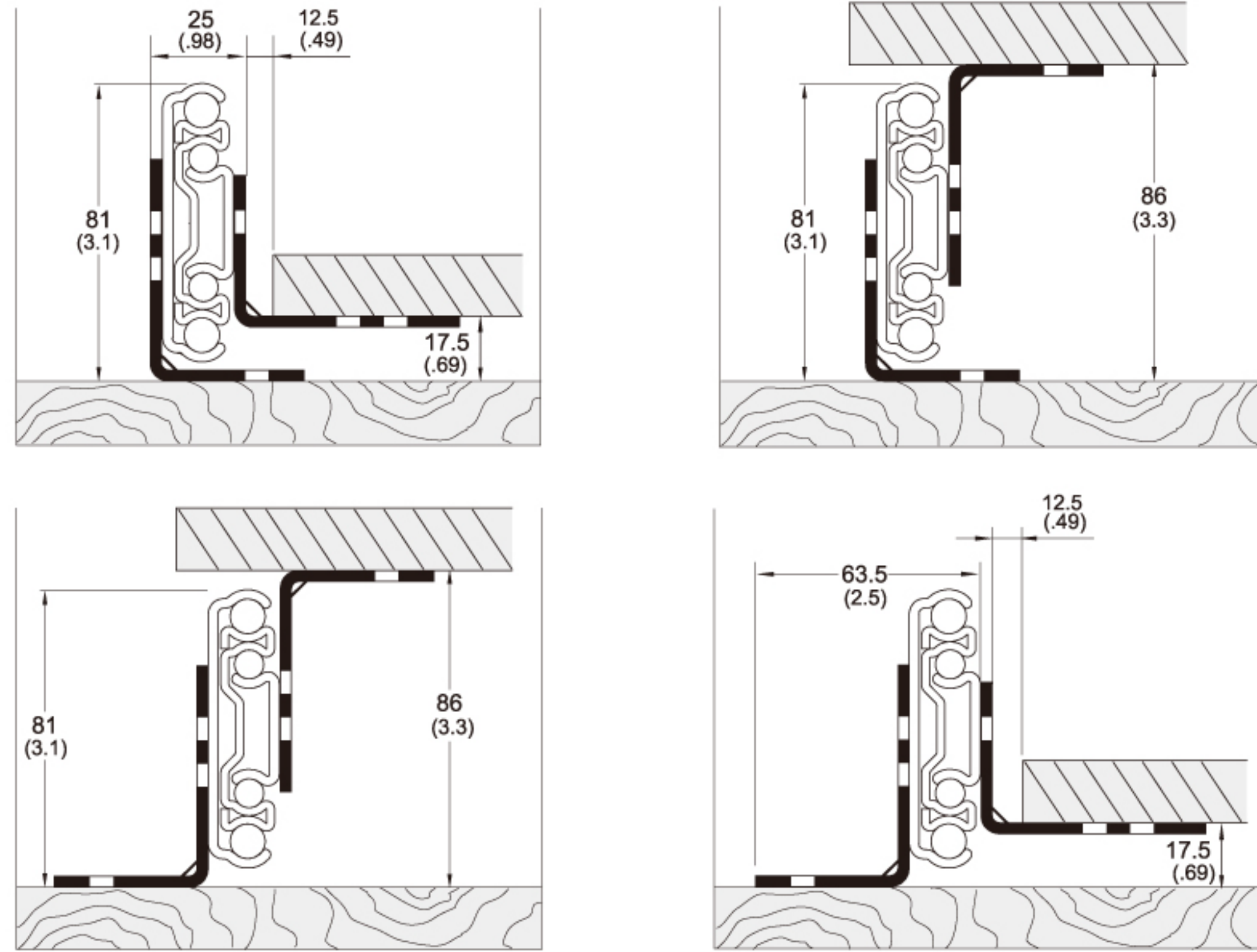


Storage Total Solution



Flexibly Assembled Brackets for L76120 / L76131

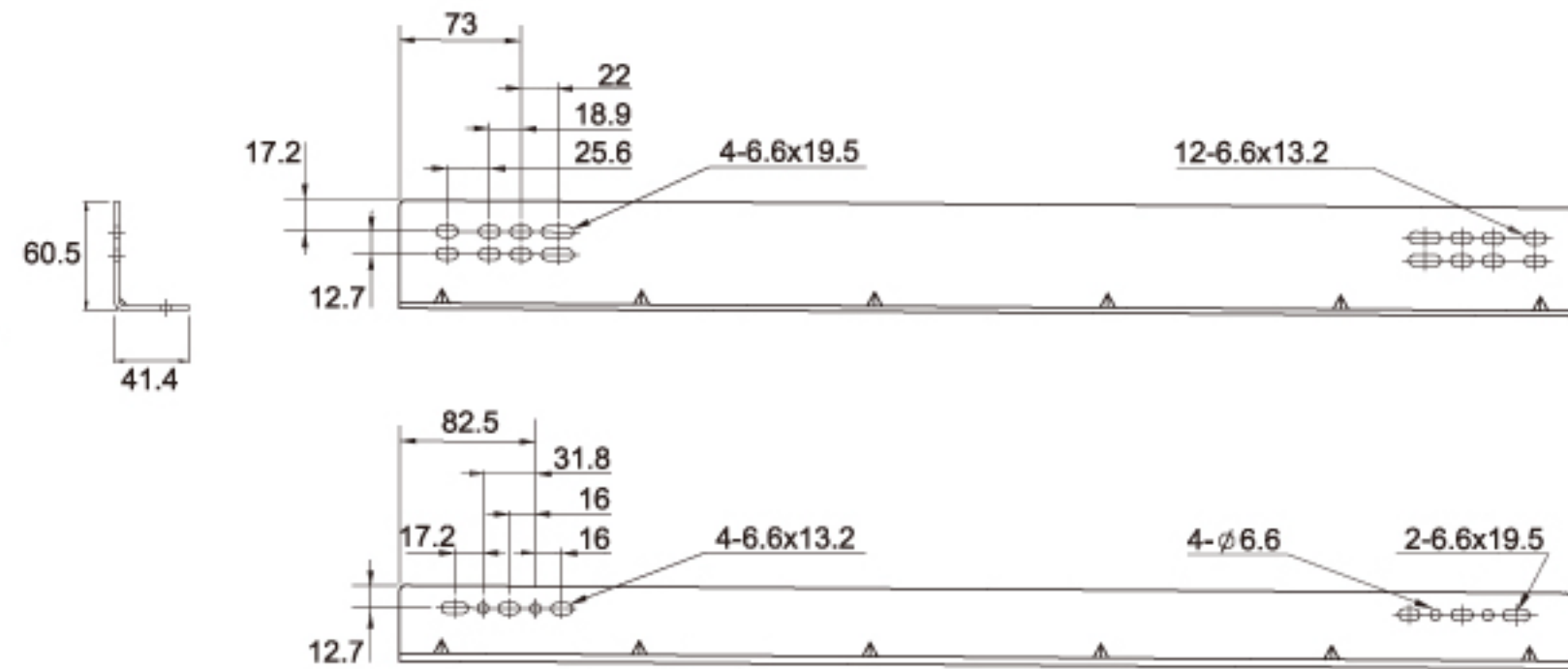
Bottom Mount



mm / inches

Bracket Dimensions

Finish: Zinc Plated
Thickness=3



Hardware for reference: M6x1.0 Hex Recess Driver Round Head Bolt and M6 Nylon Ring Nut

* Maximum height of the screw head is 3.3mm



mm

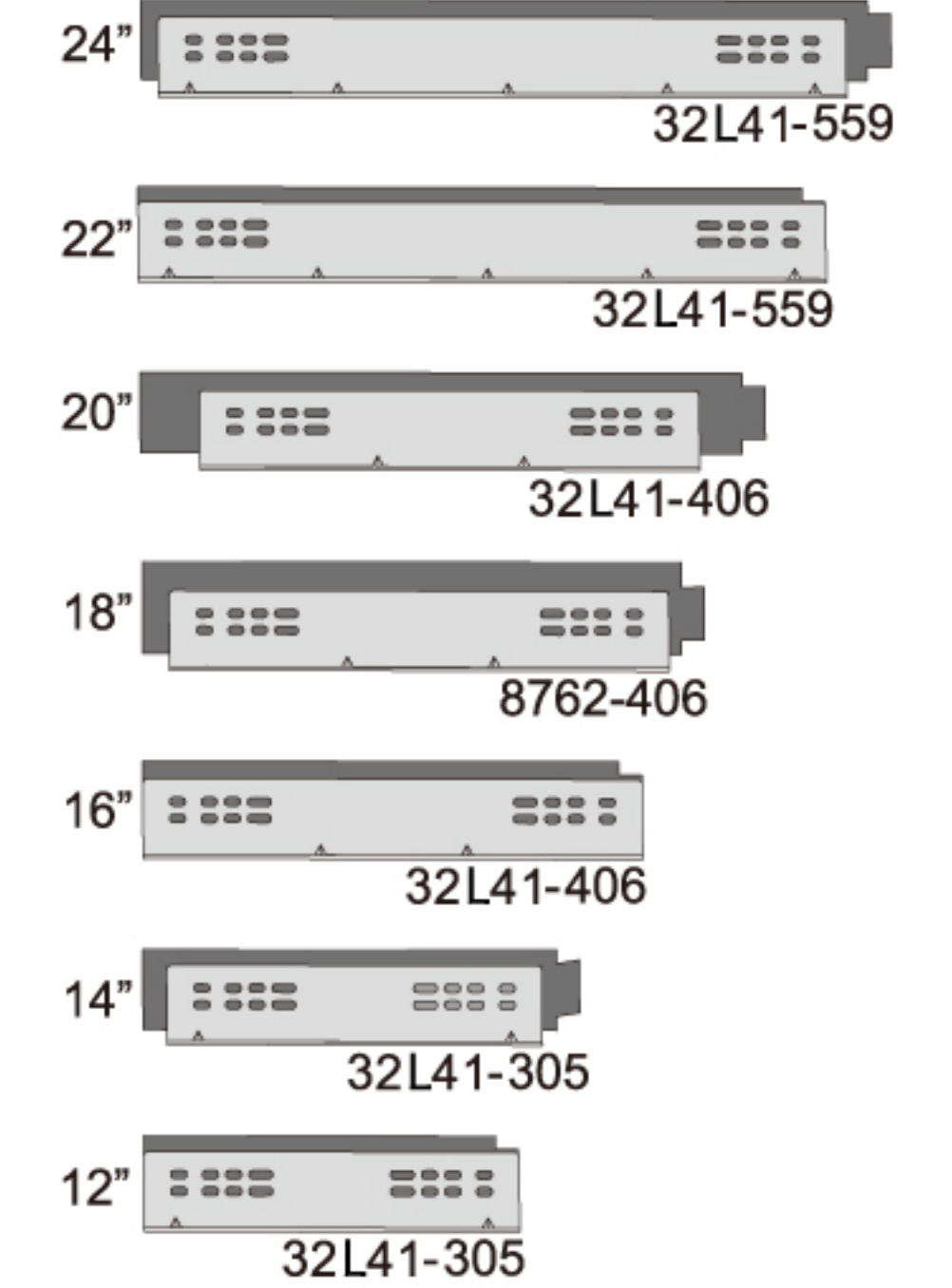
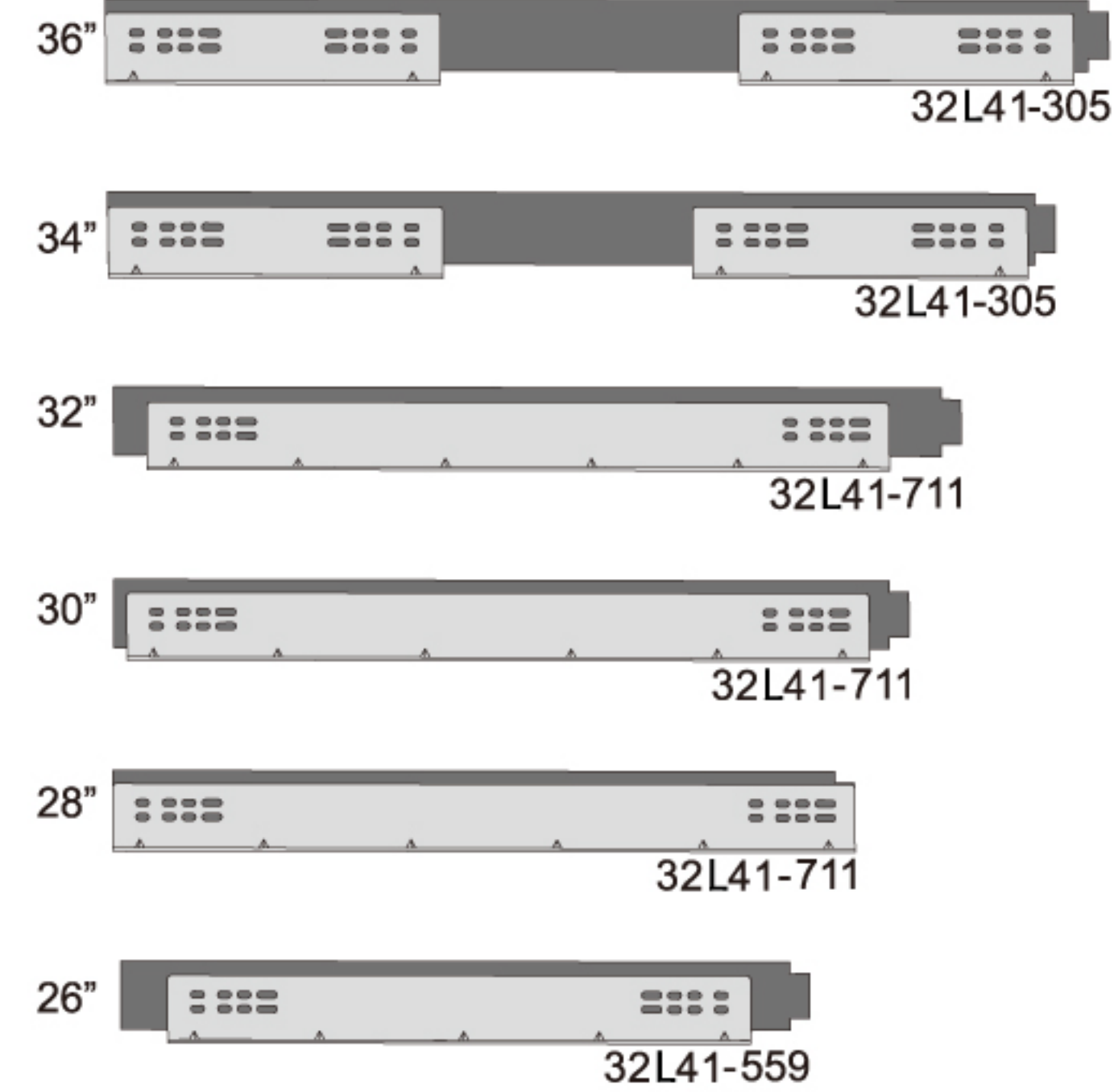
NOTE: Assembly drawings and dimensions shown only for reference. Please contact with the dealer



Flexibly Assembled Brackets for L76120 / L76131

Slide Length

Recommended Bracket for Slide



L76120/L76131 Accessory Bracket Kits for Bottom Mount (Bracket 1 SET=2 Bracket)

Slide Part Numer	Slide Length	12" Bracket	16" Bracket	22" Bracket	28" Bracket
		32L41-305	32L41-406	32L41-559	32L41-711
L76120/L76131-12	12"	2 Sets	-	-	-
L76120/L76131-14	14"	2 Sets	-	-	-
L76120/L76131-16	16"	-	2 Sets	-	-
L76120/L76131-18	18"	-	2 Sets	-	-
L76120/L76131-20	20"	-	2 Sets	-	-
L76120/L76131-22	22"	-	-	2 Sets	-
L76120/L76131-24	24"	-	-	2 Sets	-
L76120/L76131-26	26"	-	-	2 Sets	-
L76120/L76131-28	28"	-	-	-	2 Set
L76120/L76131-30	30"	-	-	-	2 Set
L76120/L76131-32	32"	-	-	-	2 Set
L76120/L76131-34	34"	4 Sets	-	-	-
L76120/L76131-36	36"	4 Sets	-	-	-

NOTE: Assembly drawings and dimensions shown only for reference. Please contact with the dealer

Locking Handle D3000



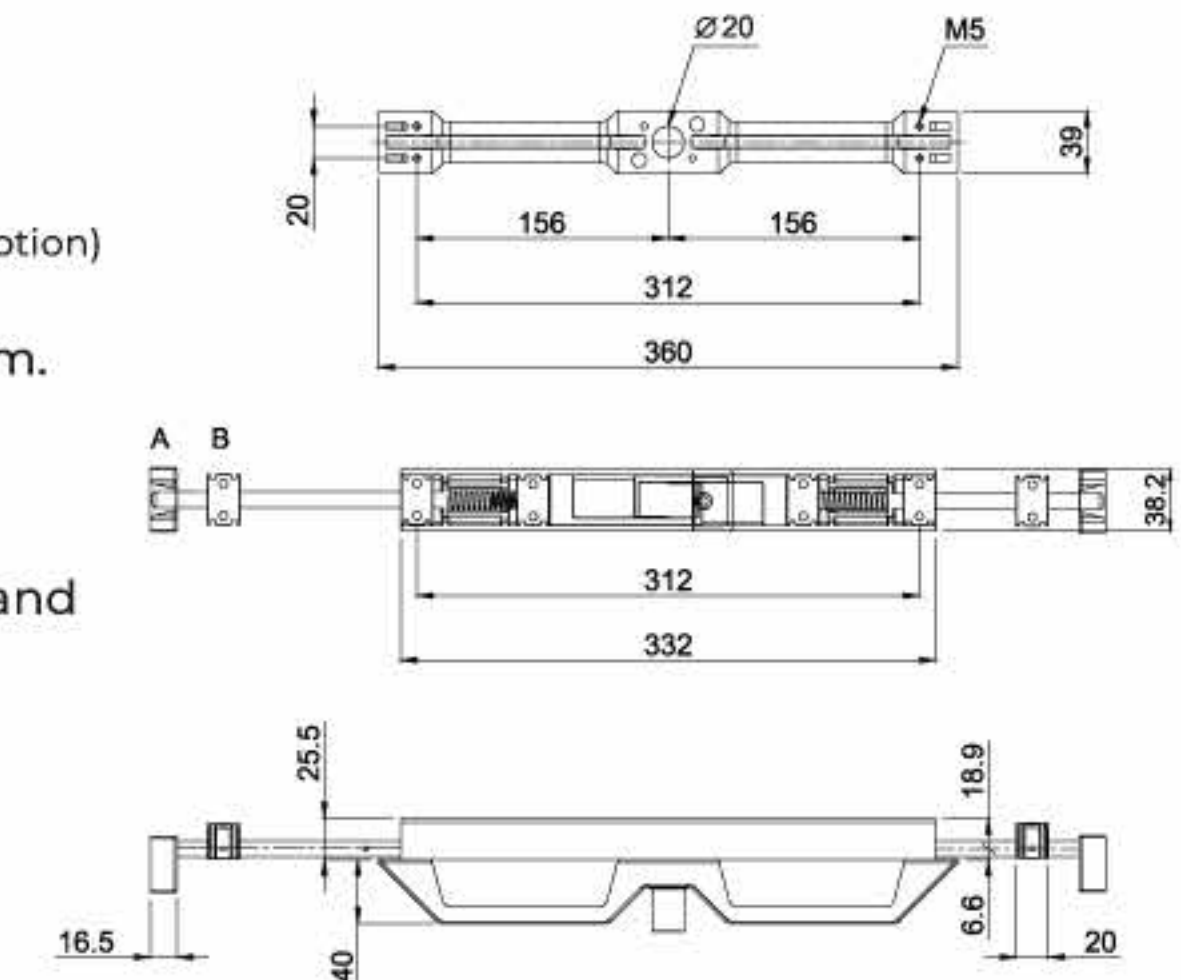
The Reliable Guard for Your **Heavy Duty** Drawer

Safe and **Handy Lock**









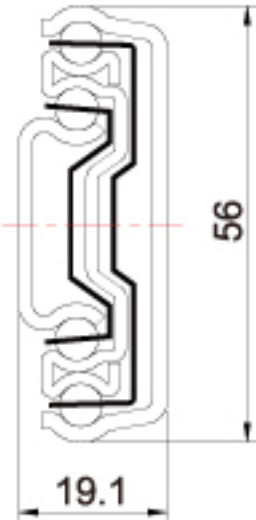
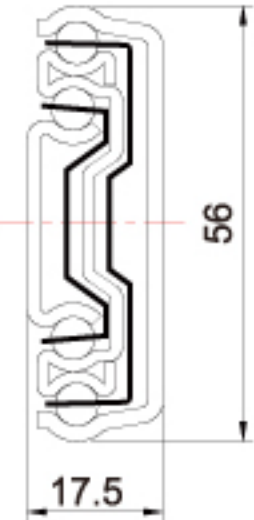
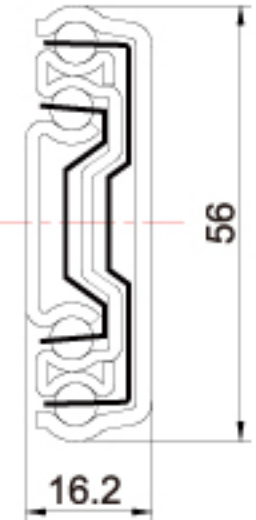
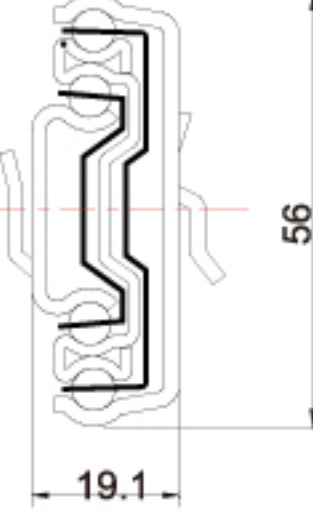
On Board for **Locking** Your Protection.











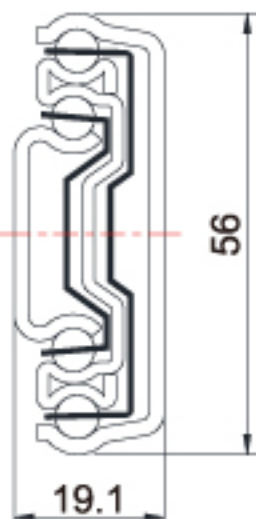
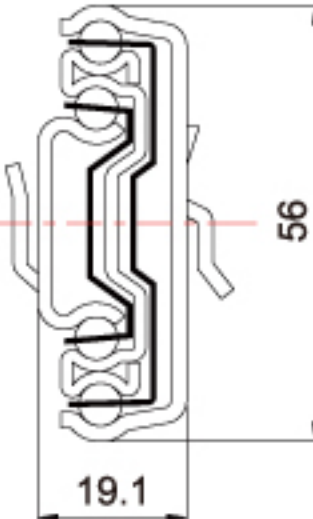
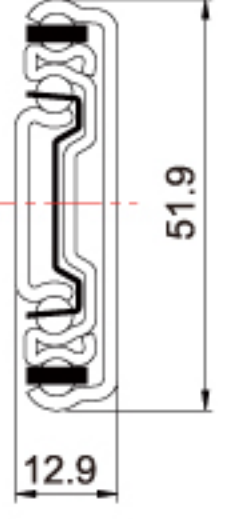
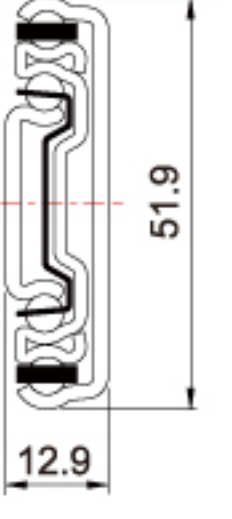
- Lock-in and optional Lock-out function.
- Supporting drawer width up to 1622mm.
(Standard 500mm and 750mm length of stainless steel rods for your option)
- Maximum thickness of drawer front panel is up to 7 mm.
- Material: PA6+35%GF handle; stainless steel parts.
- Lightweight and corrosion resistant for fuel efficiency and outdoor using.
- Applications: Trucks, RV, specialty vehicles, tool storage cabinets, etc.
- 30,000 cycles approved.



Slide Selection

Application	Heavy Duty Storage Drawers Display Cabinet			
Loading Rate	  124 kg 100 kg	  124 kg 100 kg	  124 kg 100 kg	  110 kg 80 kg
Profile				
Item No.	L56110	L56130	L56140	L526111-Y27
Extension	FULL			
Available Features	<ul style="list-style-type: none"> • Detent-in 	<ul style="list-style-type: none"> • Detent-in 	<ul style="list-style-type: none"> • Detent-in 	<ul style="list-style-type: none"> • Front Interlock

Slide Selection

Application	Heavy Duty Storage Drawers Display Cabinet			
Loading Rate	  110 kg 80 kg	  80 kg 75 kg	   100 kg 90 kg 75 kg	 80 kg
Profile				
Item No.	L56282	L56112-Y27	L52100	L52197
Extension	FULL			
Available Features	<ul style="list-style-type: none"> • Rear Interlock • Self Closing 	<ul style="list-style-type: none"> • Soft Closing 	<ul style="list-style-type: none"> • Detent-in 	<ul style="list-style-type: none"> • Soft Closing

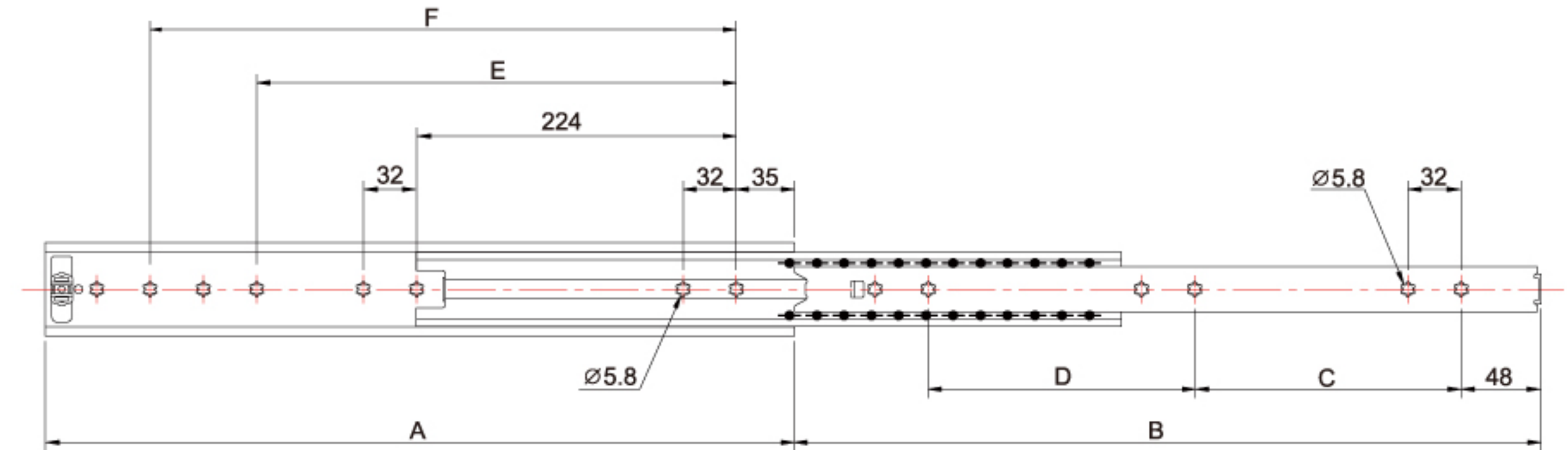
Slide Selection

Application	Heavy Duty Storage Drawers Display Cabinet		Pedestal Storage Drawers Display Cabinet		
Loading Rate	 60 kg	 45 kg	 40 kg	 40 kg	 45 kg
Profile					
Item No.	L47100	L46104AT	L46177	L39111	L35220AT
Extension	FULL				SINGLE
Available Features	• Detent-in	• Stainless Steel Slide • Detent-in	• Detent-in	• Detent-in	• Stainless Steel Slide

L56 Series

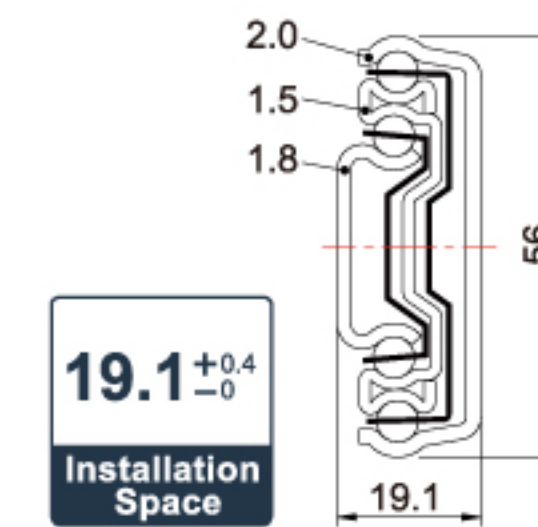


• Detent-In



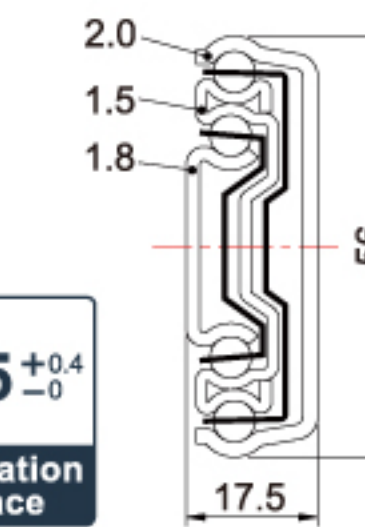
Unit:mm

• L56110



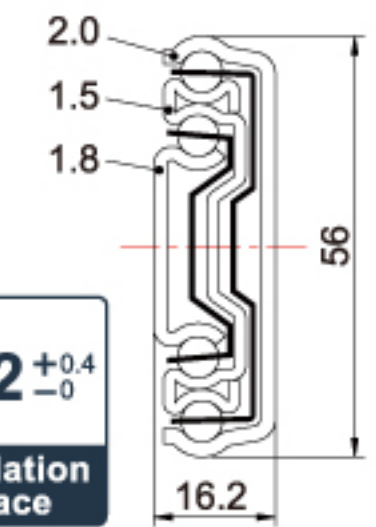
19.1^{+0.4}₋₀
Installation Space

• L56130



17.5^{+0.4}₋₀
Installation Space

• L56140



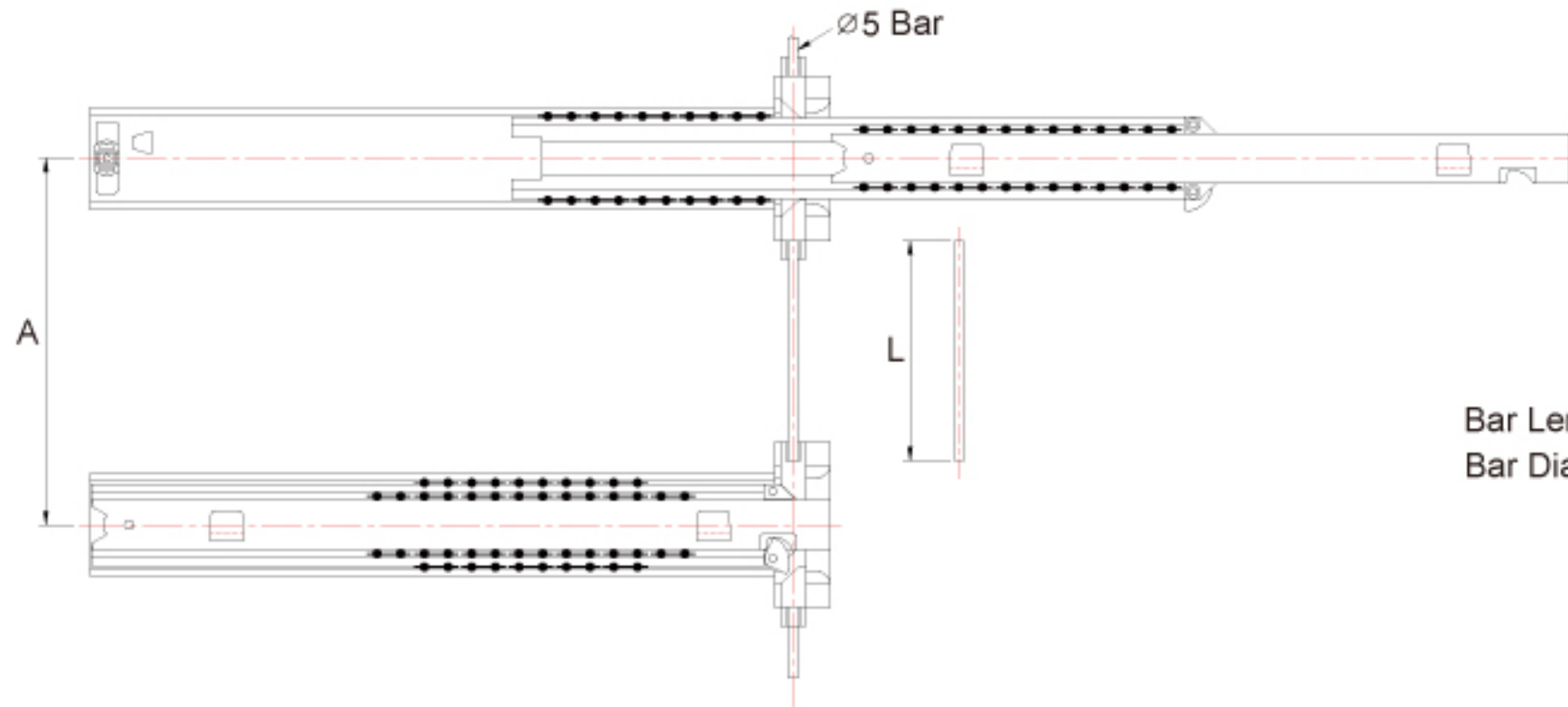
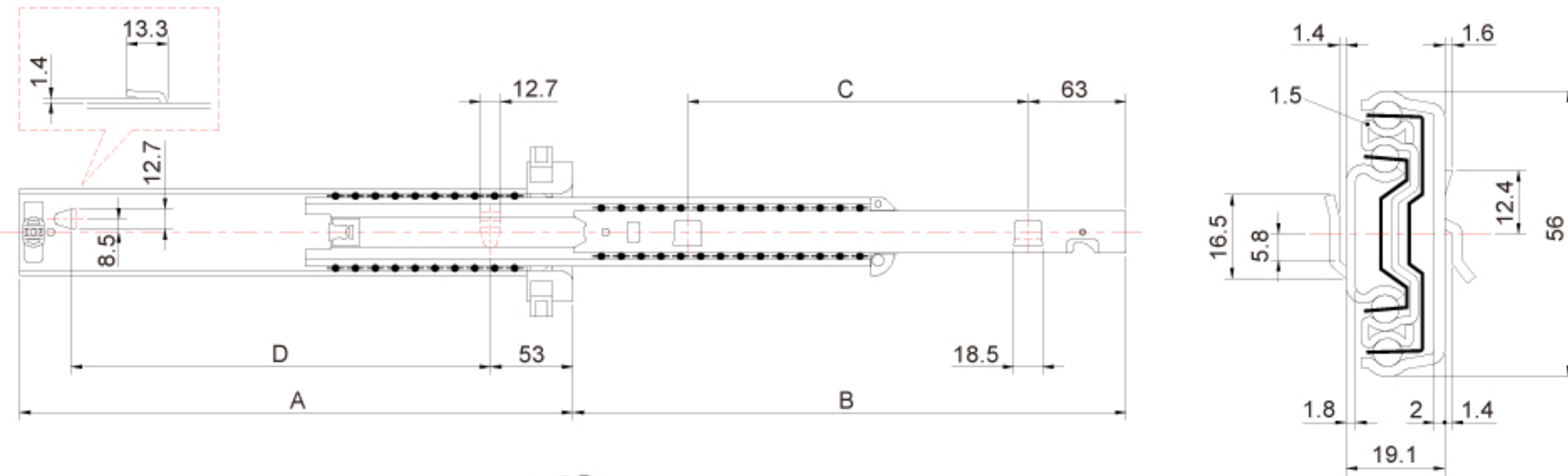
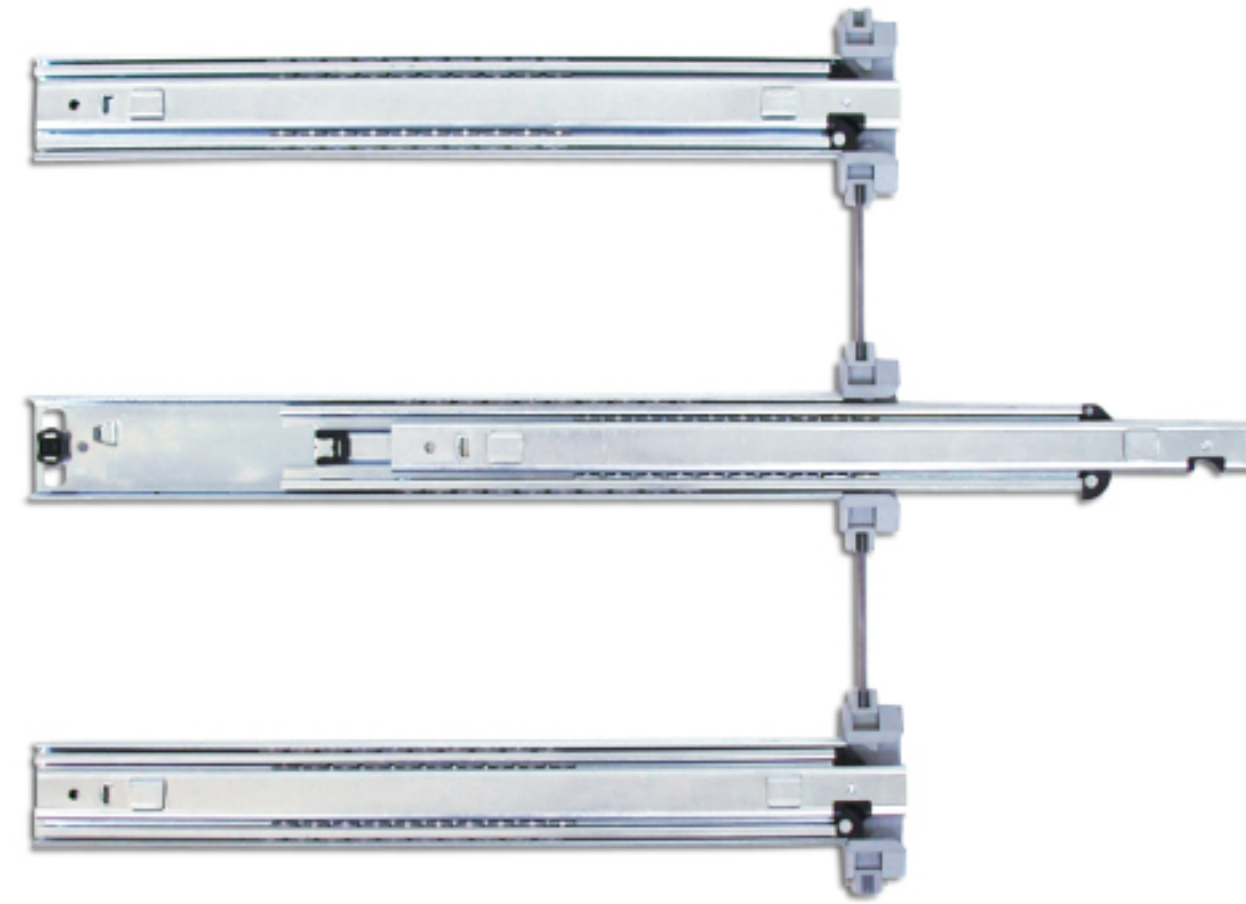
16.2^{+0.4}₋₀
Installation Space

A	Slide Length	B	Slide Travel	C	D	E	F
400	400	400	128	128	320	-	-
450	450	450	160	160	352	-	-
500	500	500	192	160	384	-	-
550	550	550	224	192	448	-	-
600	600	600	224	224	480	-	-
650	650	650	256	256	352	544	-
700	700	700	256	288	352	576	-

L56111-Y27

10,000	100,000	Interlock	19.1 ^{+0.4} ₋₀
110 kg	80 kg		Installation Space

- Front Interlock
- Integrated Front Interlock and Central-lock
- Interlock Travel : 10mm
- Central-lock Travel : 10mm



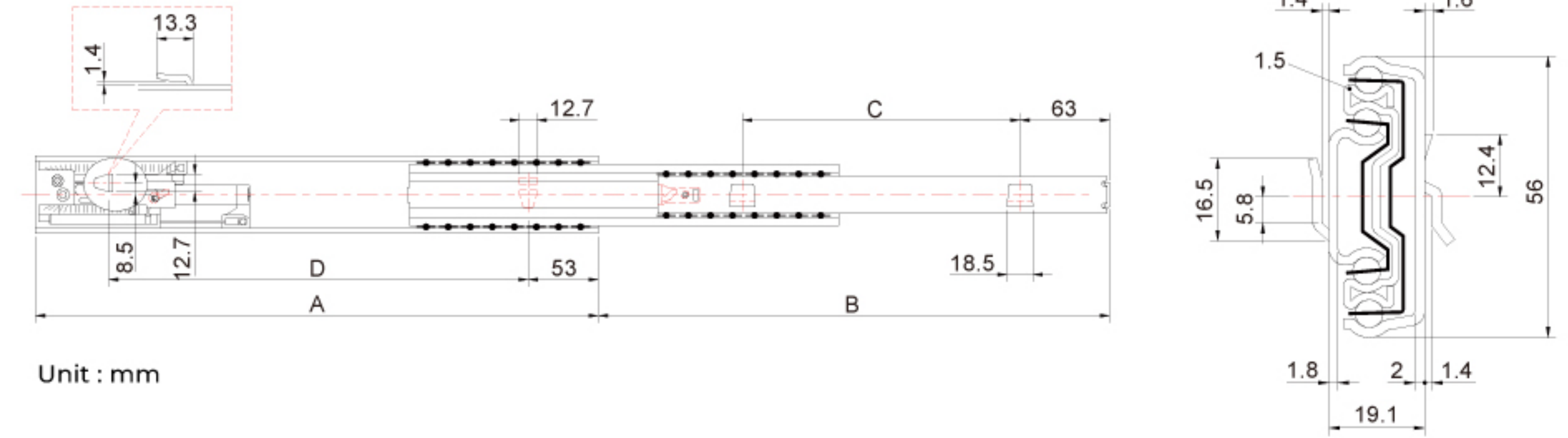
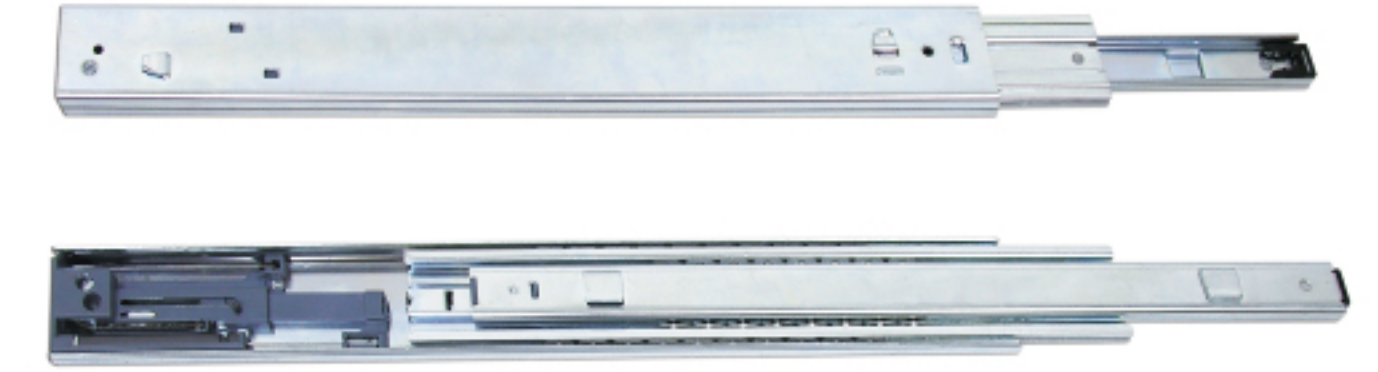
Bar Length (L) $\pm 0.2 = A - 80\text{mm}$
 Bar Diameter $\varnothing 5 \pm 0.3\text{mm}$ / Unit:mm

Item No.	A Slide Length	B Slide Travel	C	D
L56111-Y27-400	400	400	231	314
L56111-Y27-450	450	450	295	346
L56111-Y27-500	500	500	327	410
L56111-Y27-550	550	550	391	442
L56111-Y27-600	600	600	423	506

L56112-Y27

50,000	100,000	Air Soft	19.1 ^{+0.4} ₋₀
80 kg	75 kg		Installation Space

- Soft Closing with Zimmer Air Damper



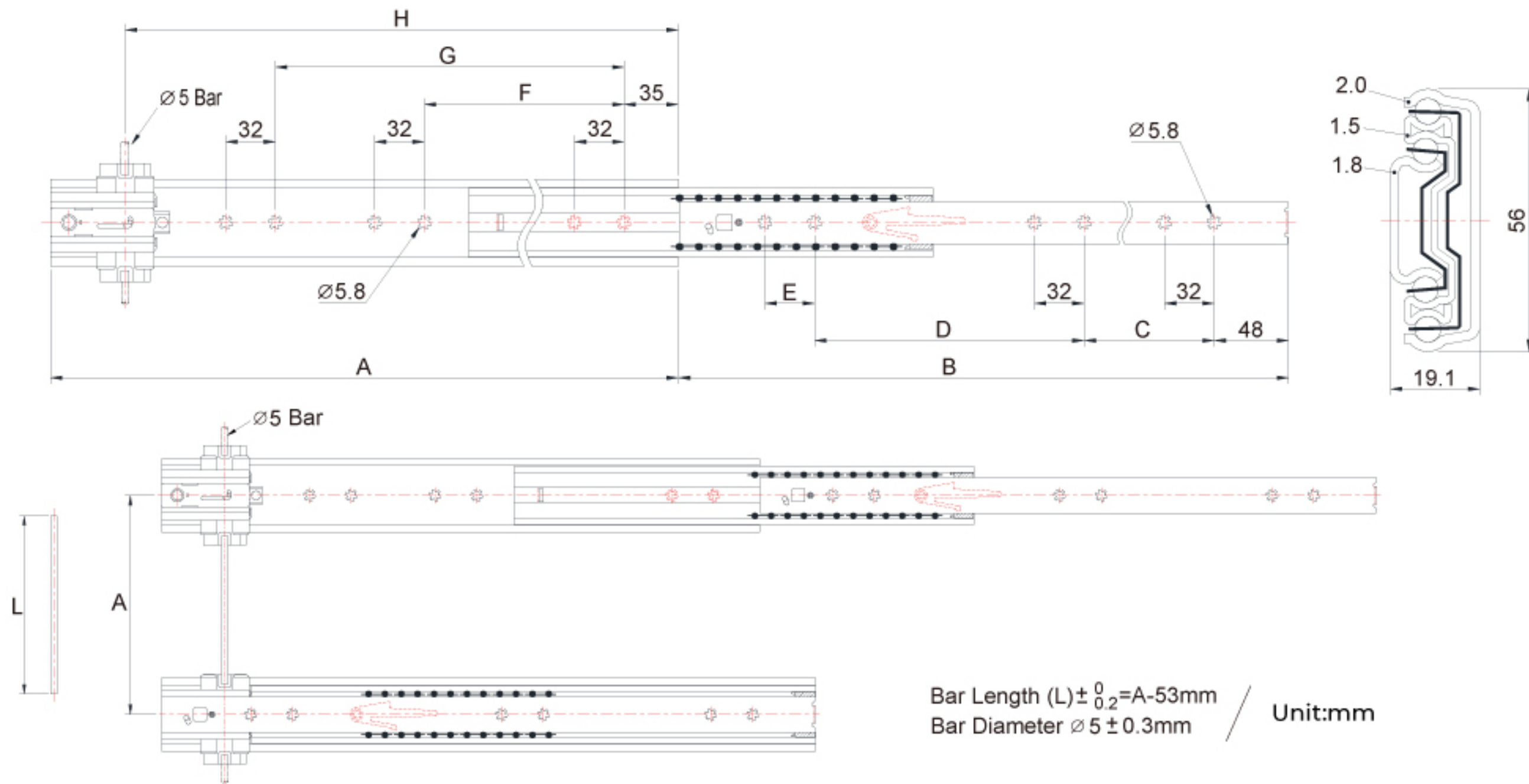
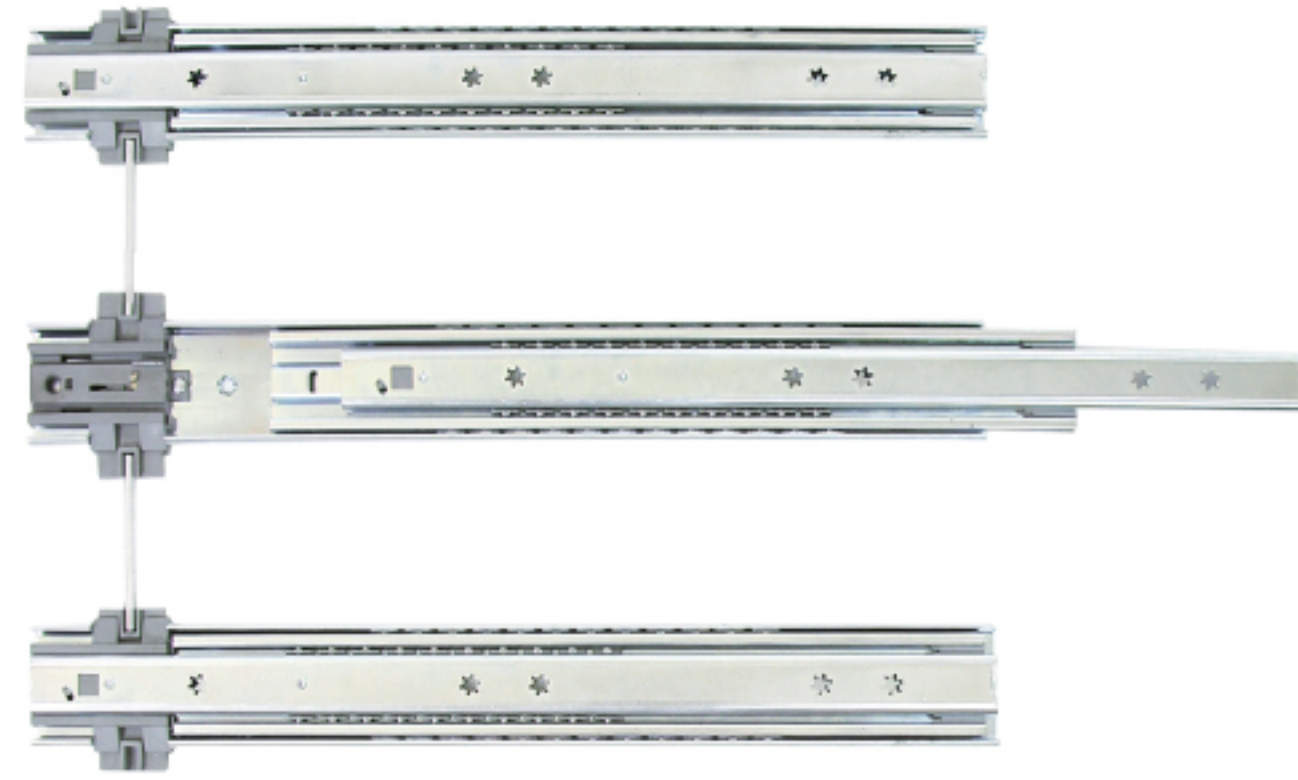
Unit : mm

Item No.	A Slide Length	B Slide Travel	C	D
L56112-Y27-400	400	400	231	314
L56112-Y27-450	450	450	295	346
L56112-Y27-500	500	500	327	410
L56112-Y27-550	550	550	391	442
L56112-Y27-600	600	600	423	506

L56182



- Two Side Integrated Interlock and Central-lock
- Interlock Travel: 9mm
- Central-lock Travel: 9mm
- Self Closing
- 32mm System Hole
- Lever Disconnect

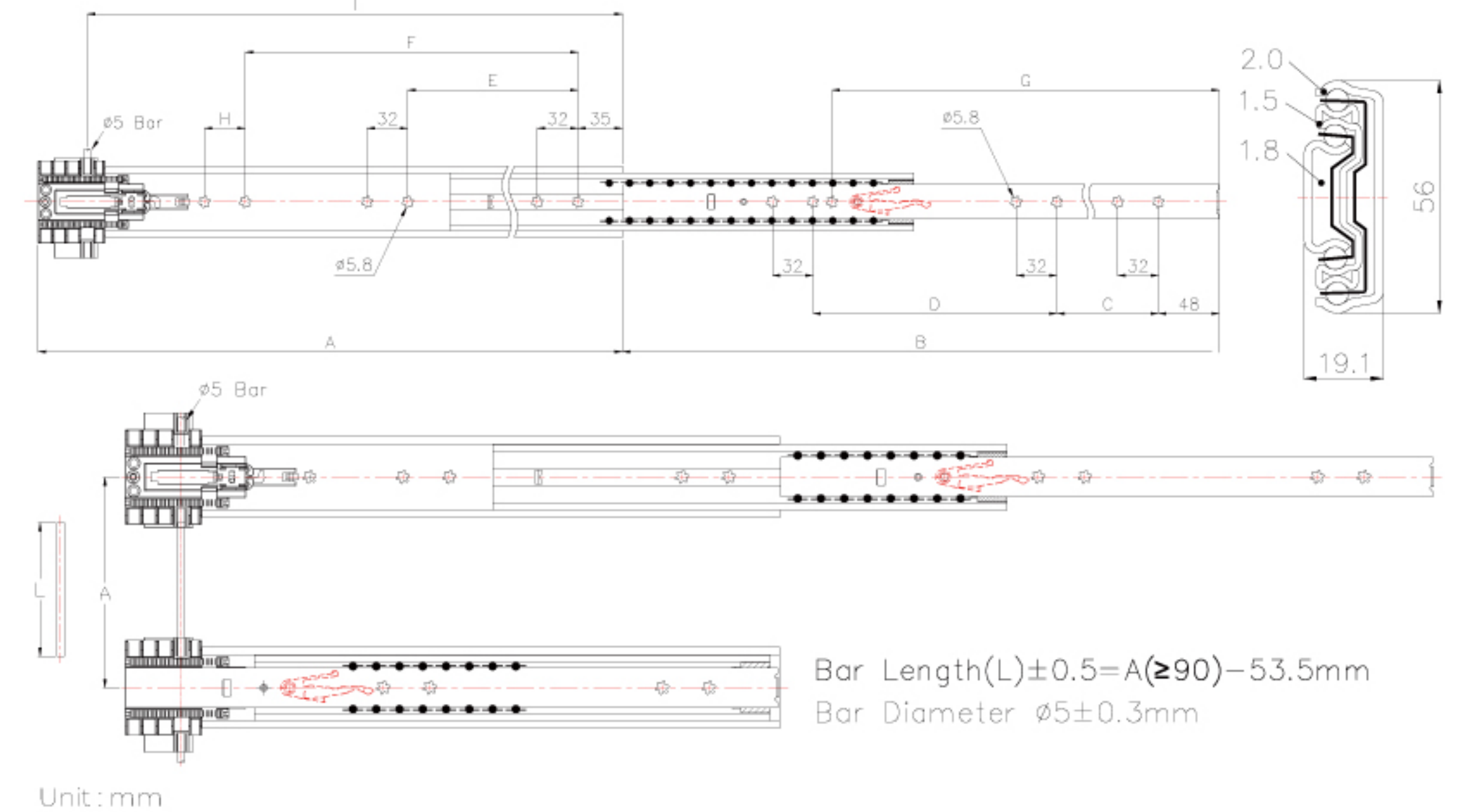
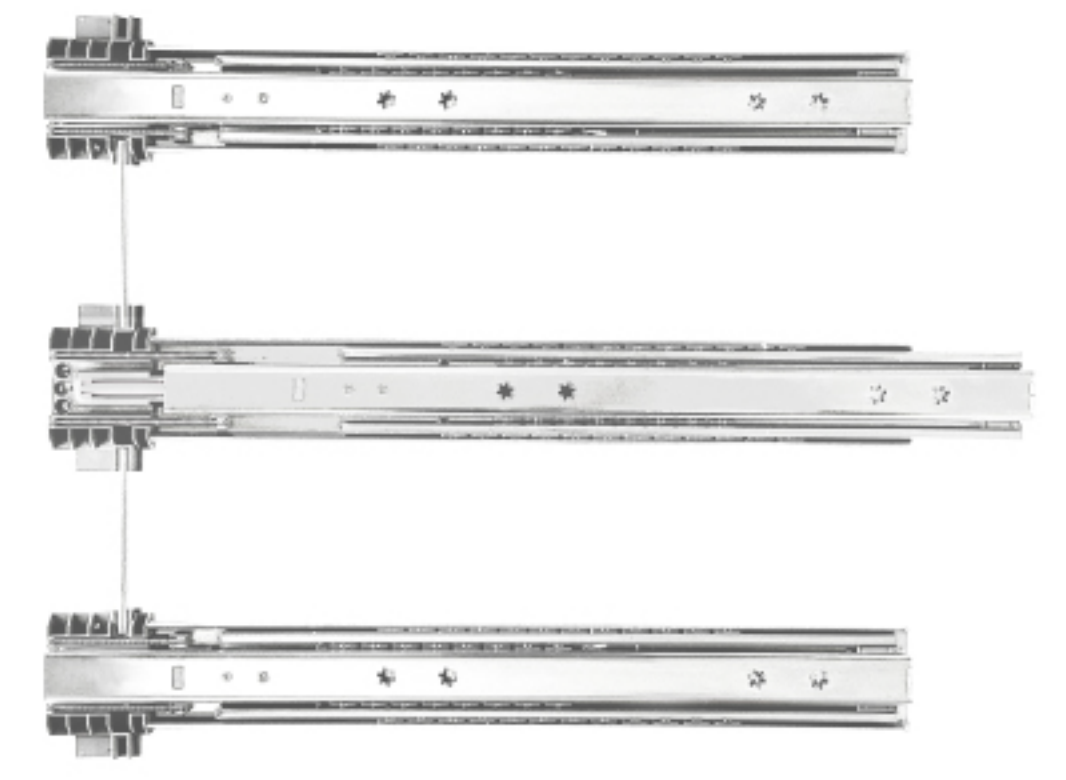


Item No.	A Slide Length	B Slide Travel	C	D	E	F	G	H
L56182-400	400	400	128	160	-	224	-	352
L56182-450	450	450	160	160	-	192	288	402
L56182-500	500	500	160	192	32	224	320	452
L56182-550	550	550	192	192	32	224	384	505
L56182-600	600	600	224	224	32	224	416	552
L56182-650	650	650	224	256	32	256	480	602
L56182-700	700	700	256	288	32	288	512	652

L56282



- Two Side Integrated Interlock and Central-lock
- Interlock + Soft Close
- Optional: Self Close (Damper Removable)
- 32mm System Hole
- Anti-tilt Prevents Various Storage Falling
- Applicable interlock feature for L46 and L52 series.
- L52 series: 70kg
- L46 series: 40kg



Item No.	Slide Length A(mm)	Slide Travel B(mm)	C(mm)	D(mm)	E(mm)	F(mm)	G(mm)	H(mm)
L56282-400	400	370	128	-	192	-	288	-
L56282-450	450	450	192	-	192	288	-	-
L56282-500	500	500	160	-	224	320	384	-
L56282-550	550	550	160	192	224	352	-	32
L56282-600	600	600	192	192	256	384	-	32
L56282-650	650	650	192	256	288	448	-	32
L56282-700	700	700	256	256	320	480	-	32

L52197



50,000

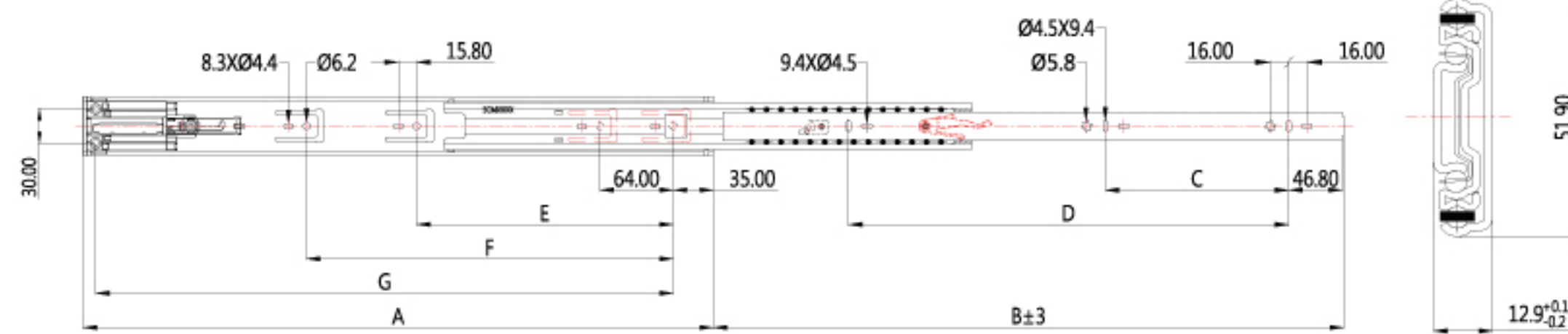
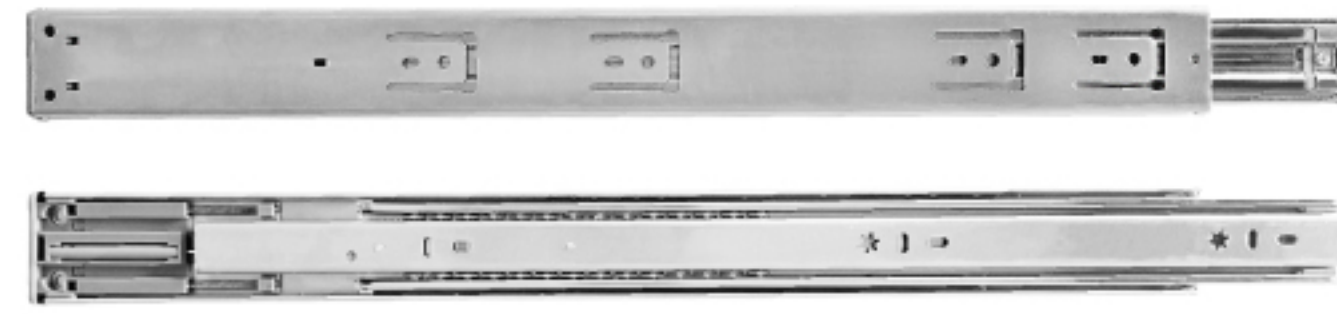


Air Soft

12.9^{+0.8}₋₀

Installation Space

- Soft Closing, Oil Damper
- 32mm System Hole
- Lever Disconnect



Unit : mm

Item No.	A Slide Length	B Slide Travel	C	D	E	F	G
L52197-400	400	400	96	160	160	-	354
L52197-450	450	450	160	224	224	-	404
L52197-500	500	500	128	256	256	-	454
L52197-550	550	550	160	224	224	320	504
L52197-600	600	600	192	224	224	352	554
L52197-650	650	650	192	224	224	416	604
L52197-700	700	700	224	224	224	416	654

L46104AT

SUS 304

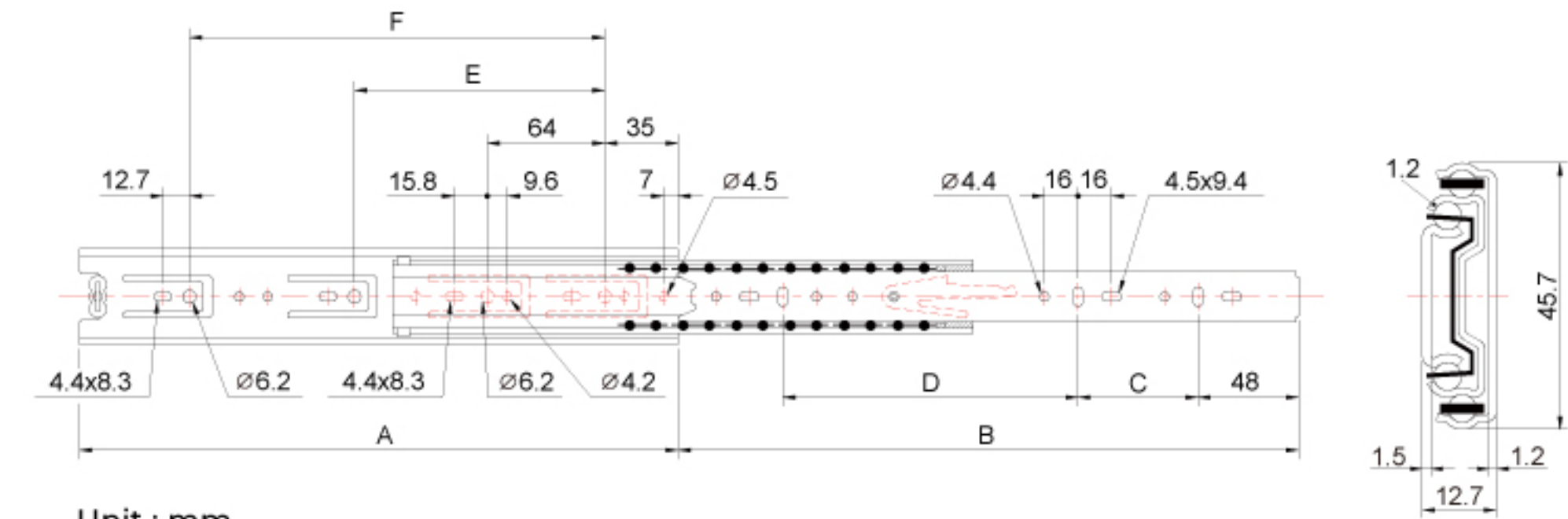


50,000

12.7^{+0.8}₋₀

Installation Space

- Stainless Steel Slide
- Detent-in
- 32mm System Hole
- Lever Disconnect

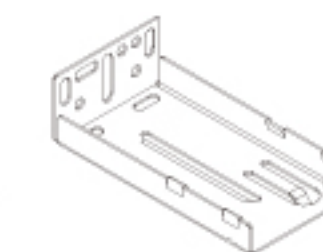


Unit : mm

Item No.	A Slide Length	B Slide Travel	C	D	E	F
L46104AT-250	250	250	160	-	160	-
L46104AT-300	300	300	192	-	192	-
L46104AT-350	350	350	96	160	224	-
L46104AT-400	400	400	128	160	224	320
L46104AT-450	450	450	160	192	224	352
L46104AT-500	500	500	192	224	224	416
L46104AT-550	550	550	224	224	224	448
L46104AT-600	600	600	224	288	224	480
L46104AT-650	650	650	256	288	224	554
L46104AT-700	700	700	256	352	224	576
L46104AT-750	750	750	256	384	224	640

Option :

#C666 Real Mounting Bracket for Face Frame Cabinet



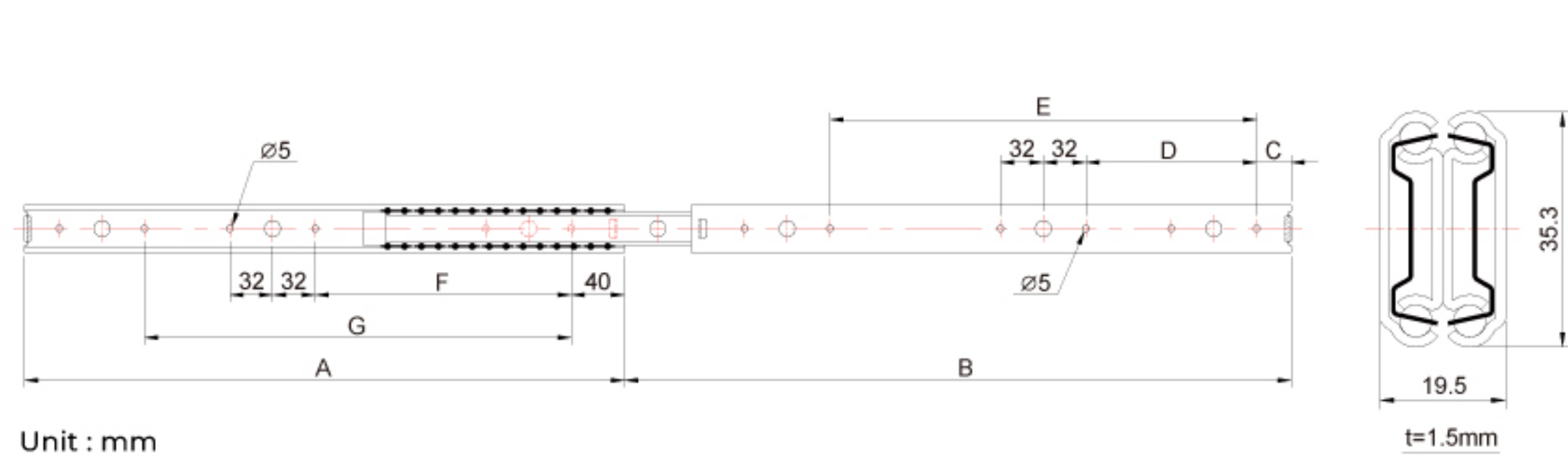
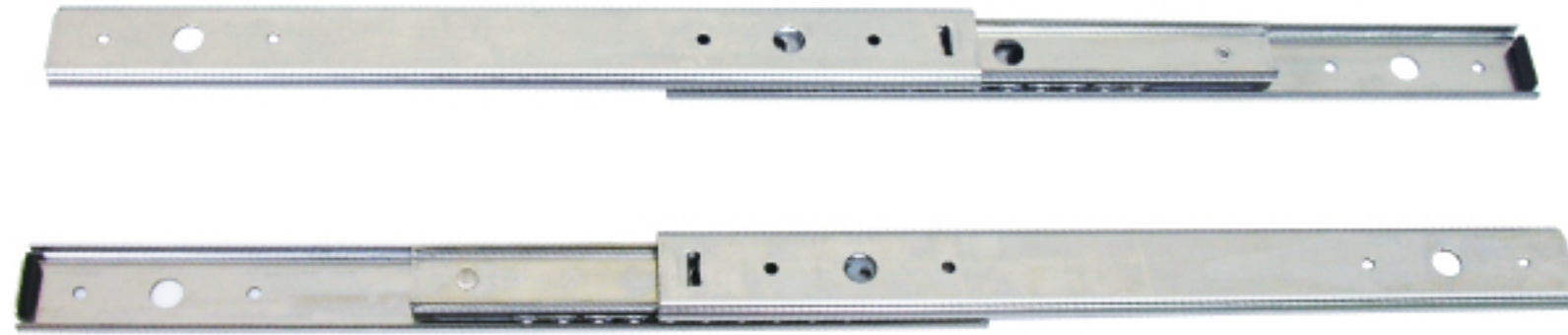
L35220AT

SUS 304

50,000
40 kg

19.5^{+0.5}₋₀
Installation Space

• Stainless Steel Slide



Item No.	A Slide Length	B Slide Travel	C	D	E	F	G
L35220AT-300	300	351	36	160	-	160	-
L35220AT-350	350	400	22	224	-	224	-
L35220AT-400	400	449	40	256	-	256	-
L35220AT-450	450	498	26	320	-	320	-
L35220AT-500	500	547	12	224	384	224	384
L35220AT-550	550	597	30	224	416	224	416
L35220AT-600	600	646	16	256	480	256	480
L35220AT-650	650	495	34	288	512	288	512
L35220AT-700	700	744	20	320	576	320	576

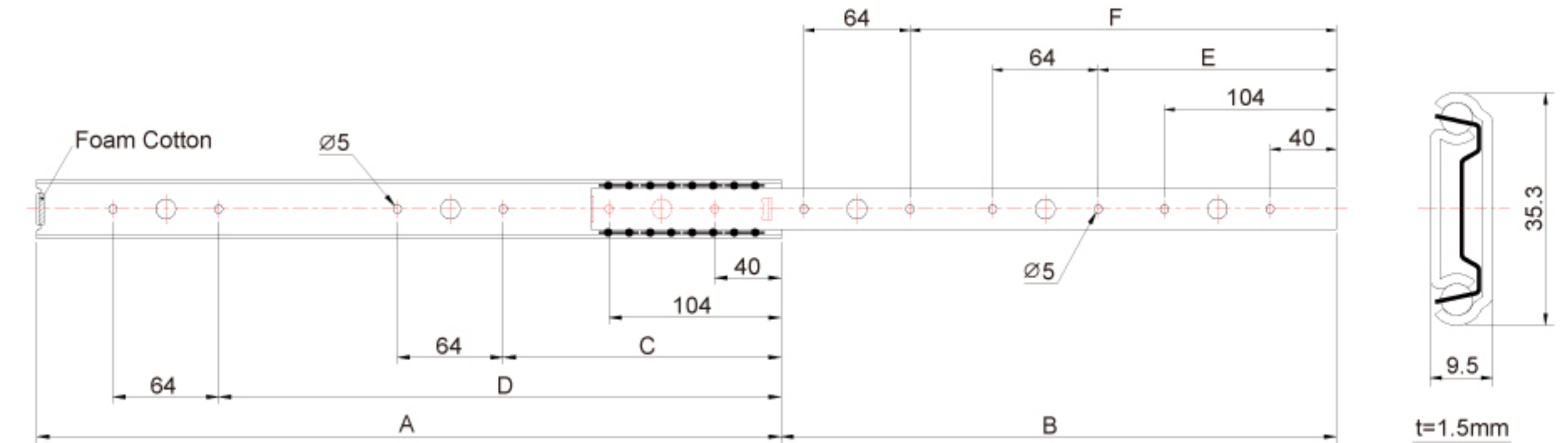
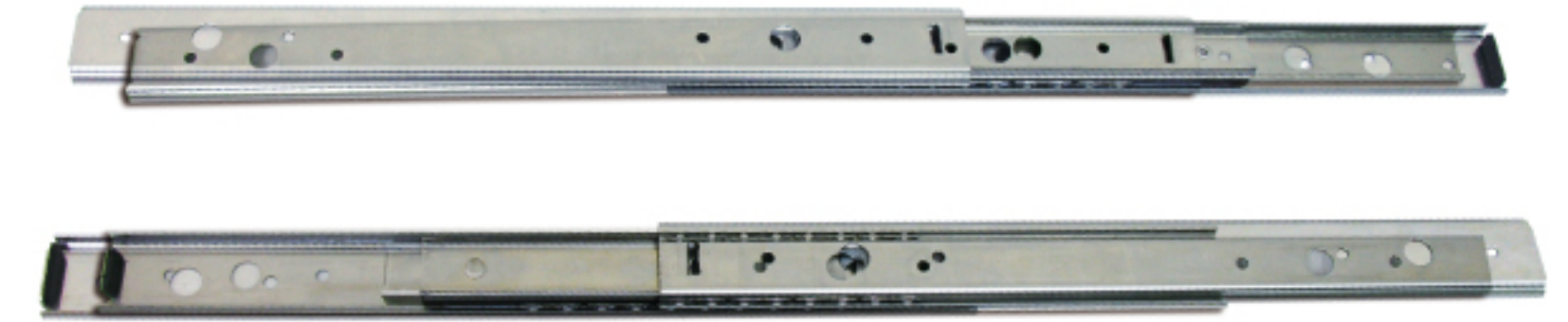
L35115T

SUS 304

50,000
27 kg





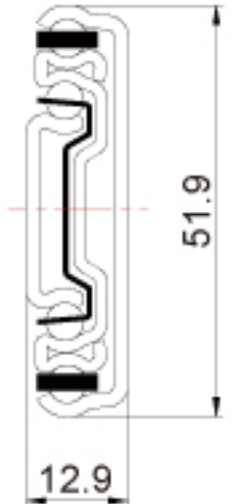
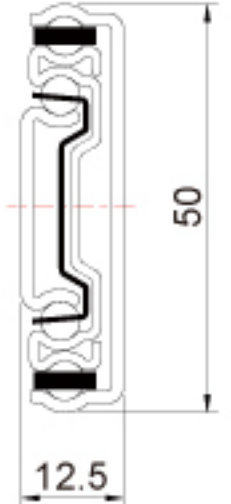
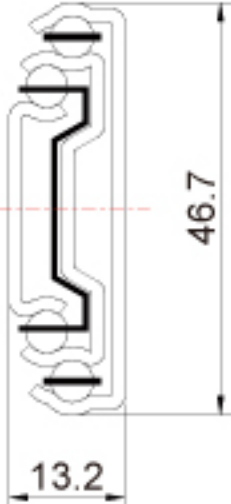
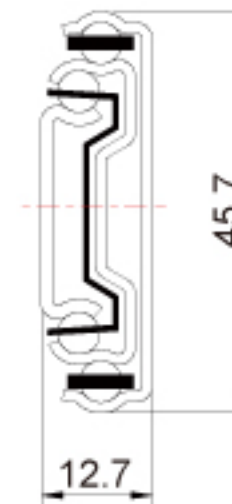
9.5^{+0.8}₋₀
Installation Space

• Stainless Steel Slide





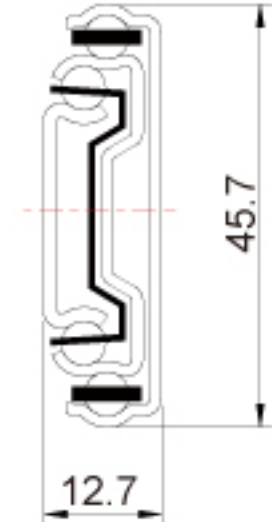
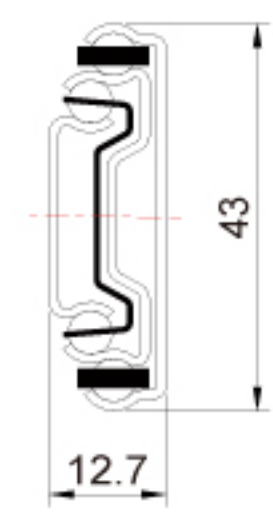
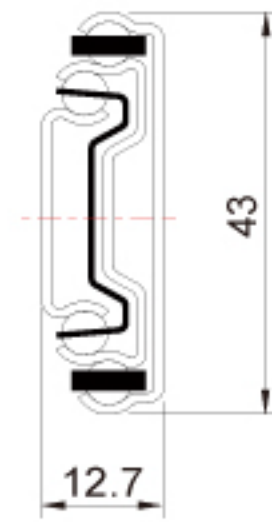



Item No.	A Slide Length	B Slide Travel	C	D	E	F
L35115T-300	300	228	200	-	136	-
L35115T-350	350	250	264	-	168	-
L35115T-400	400	300	296	-	200	-
L35115T-450	450	326	360	-	232	-
L35115T-500	500	350	264	424	264	-
L35115T-550	550	374	264	456	296	-
L35115T-600	600	399	296	520	328	-
L35115T-650	650	423	328	552	168	328
L35115T-700	700	448	360	616	200	360





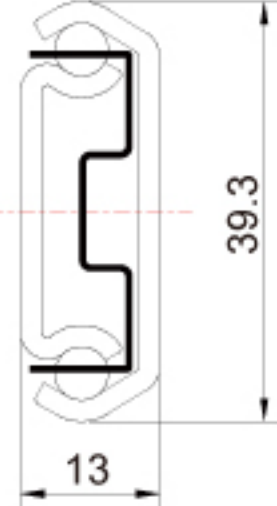
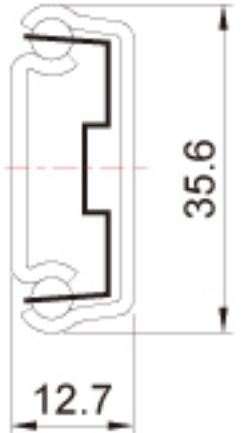
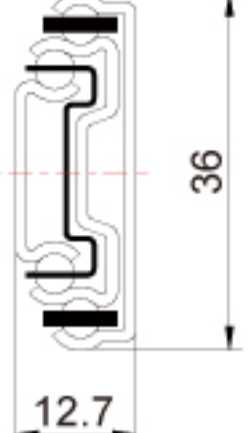
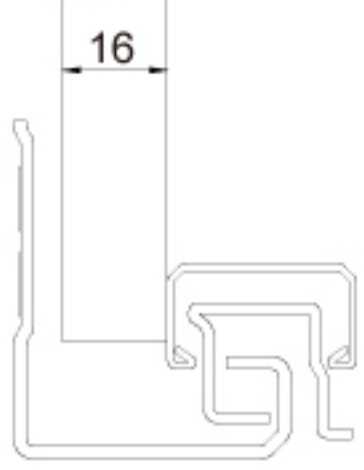
Slide Selection

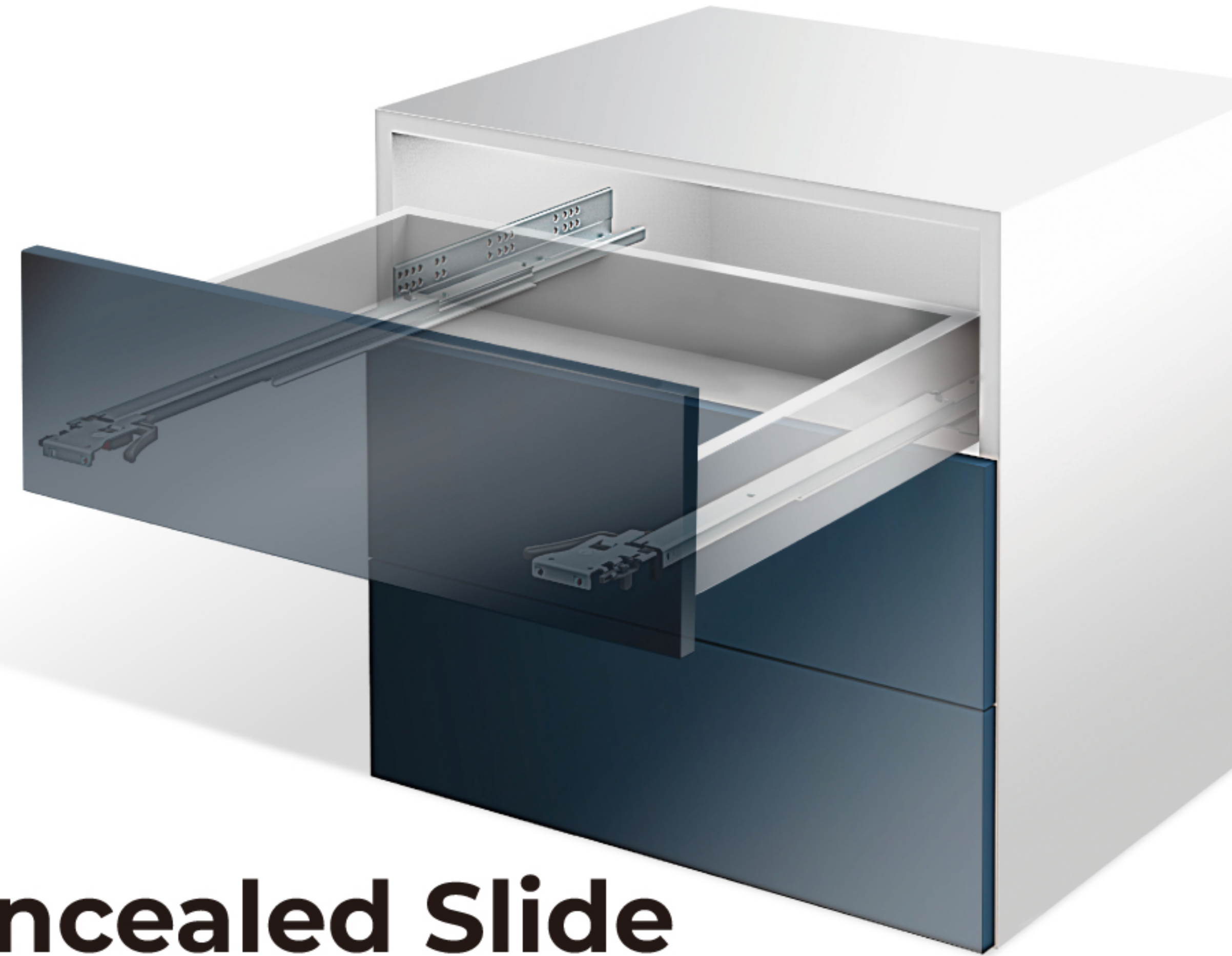
Application	Heavy Duty Storage Drawers Display Cabinet			Pedestal Storage Drawers Display Cabinet
Loading Rate	 90 kg	 65 kg	 60 kg	 45 kg
Profile				
Item No.	L52100	L50100	L47100	L46104A
Extension	FULL			
Available Features	• Detent-in	• Detent-in	• Detent-in • Original : L46150A	• Detent-in

Slide Selection

Application	Pedestal Storage Drawers Display Cabinet			Medical Industry Storage Drawers
Loading Rate	 40 kg	 40 kg	 30 kg	 50 kg
Profile				
Item No.	L46177	L43110A	L43177	L35170
Extension	FULL			SINGLE
Available Features	• Soft Closing	• Detent-in	• Soft Closing	• Two-way Travel

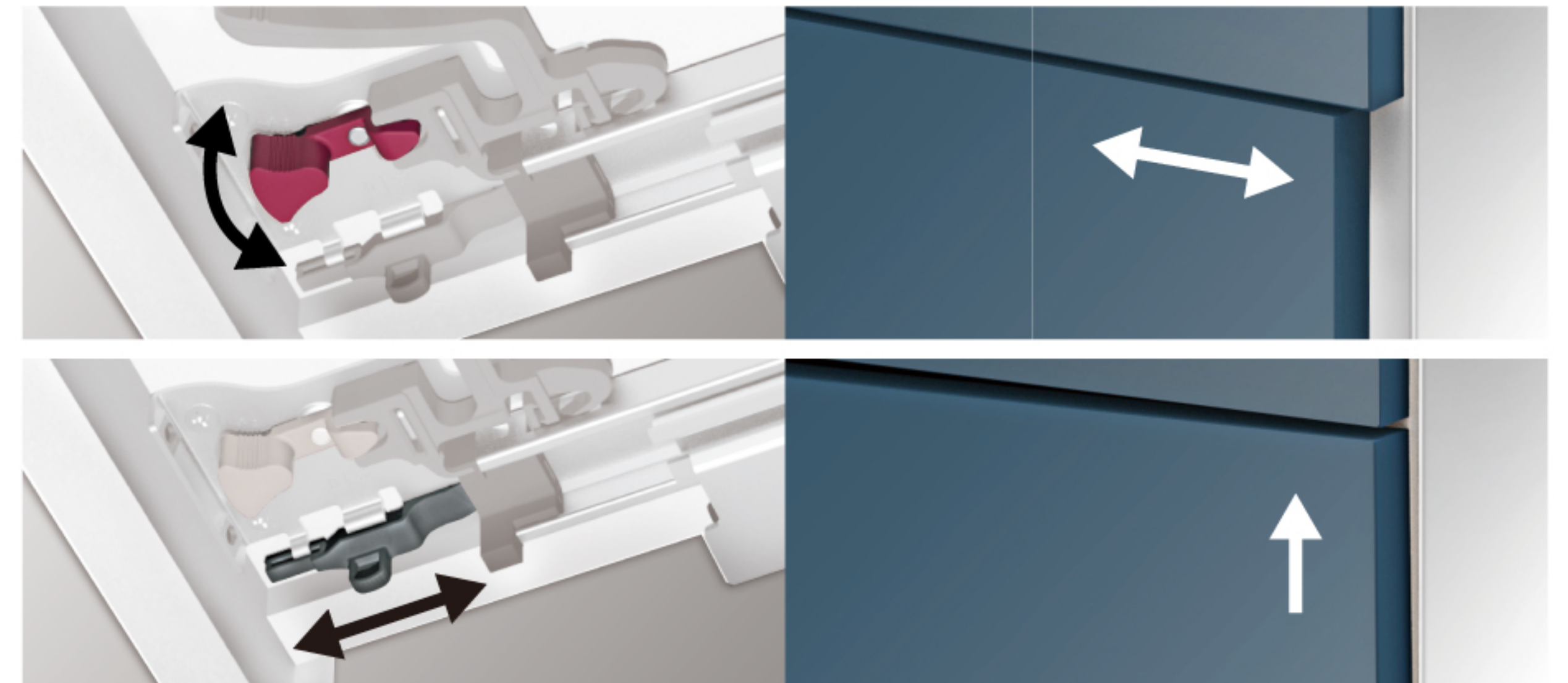
Slide Selection

Application	Pedestal Storage Drawers Display Cabinet			
Loading Rate	 40 kg	 35 kg	 35 kg	 34 kg
Profile				
Item No.	L39111	L35161	L35192	L72 Series
Extension	SINGLE		FULL	
Available Features	<ul style="list-style-type: none"> • Two-way Travel 	<ul style="list-style-type: none"> • Detent-in 	<ul style="list-style-type: none"> • Detent-in 	<ul style="list-style-type: none"> • Concealed Slide • Soft Closing



Concealed Slide

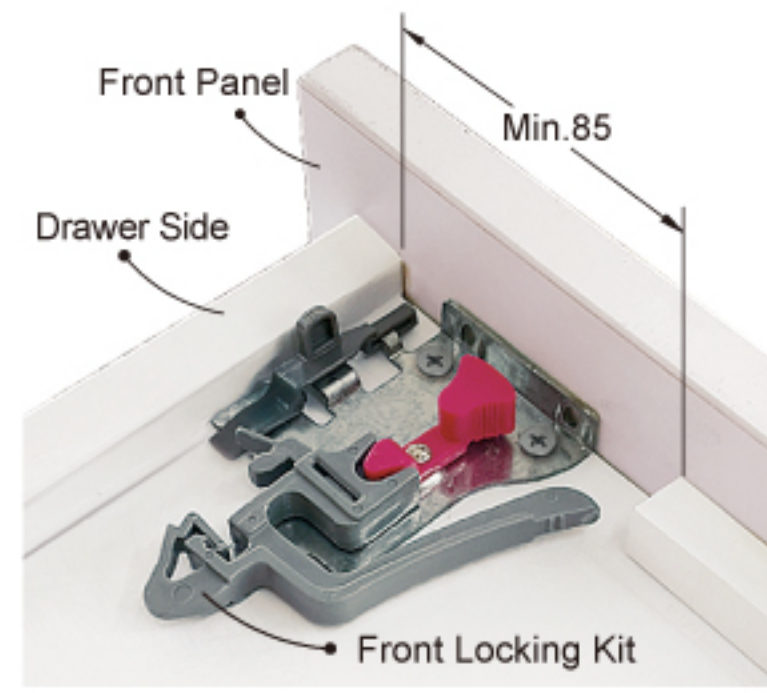
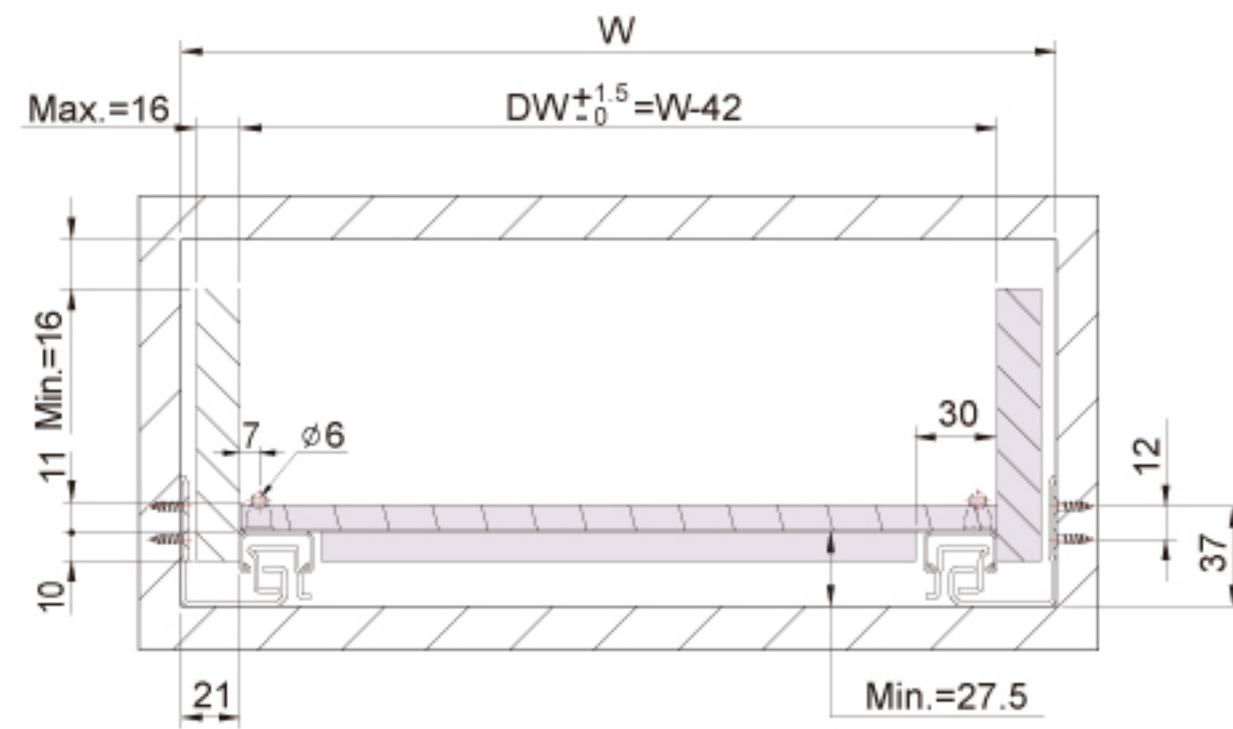
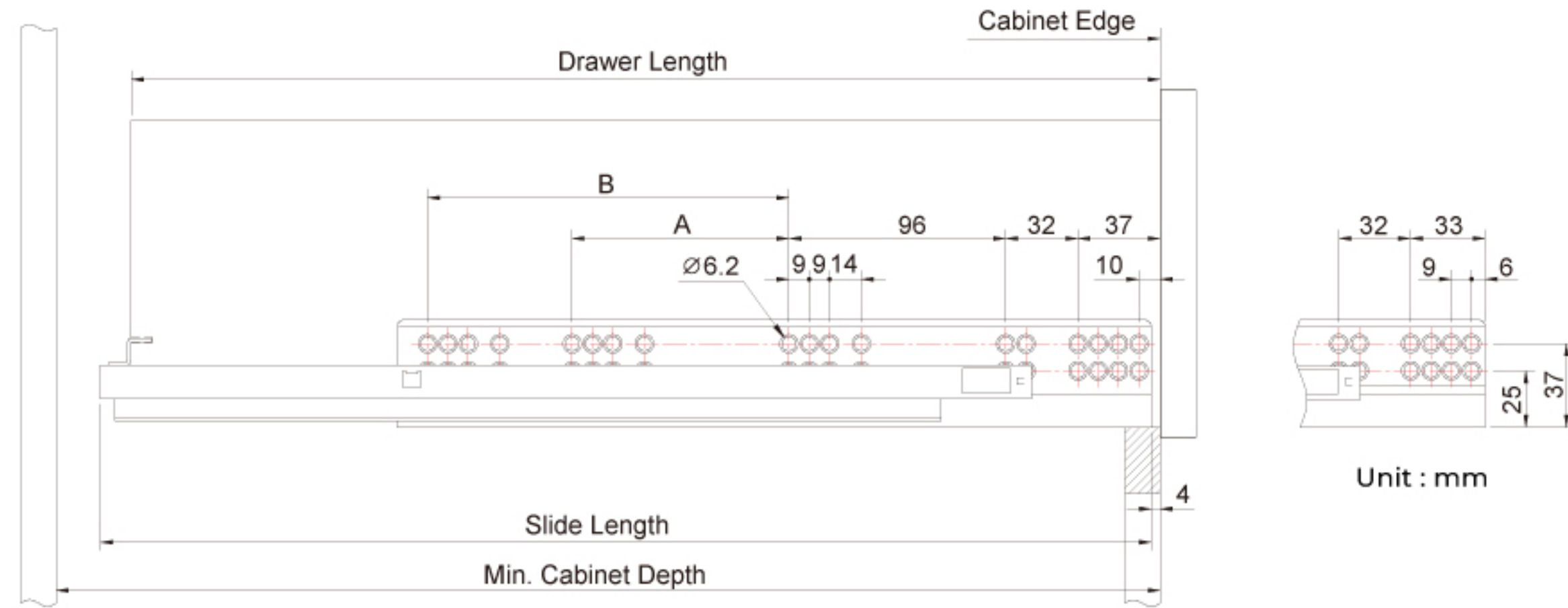
2 Directions Adjustable



L72192A



- For 3-Side Drawer
- Full Extension
- Front Assembly Kit
- Soft Closing Travel 50mm
- Drawer Side Thickness Max.16mm



Item No.	Slide Length	Drawer Length	Min. Cabinet Depth	A	B
L72192A-300	300	290	315	64	-
L72192A-350	350	340	365	64	-
L72192A-400	400	390	415	96	-
L72192A-450	450	440	465	96	-
L72192A-500	500	490	515	96	160
L72192A-550	550	540	565	96	160

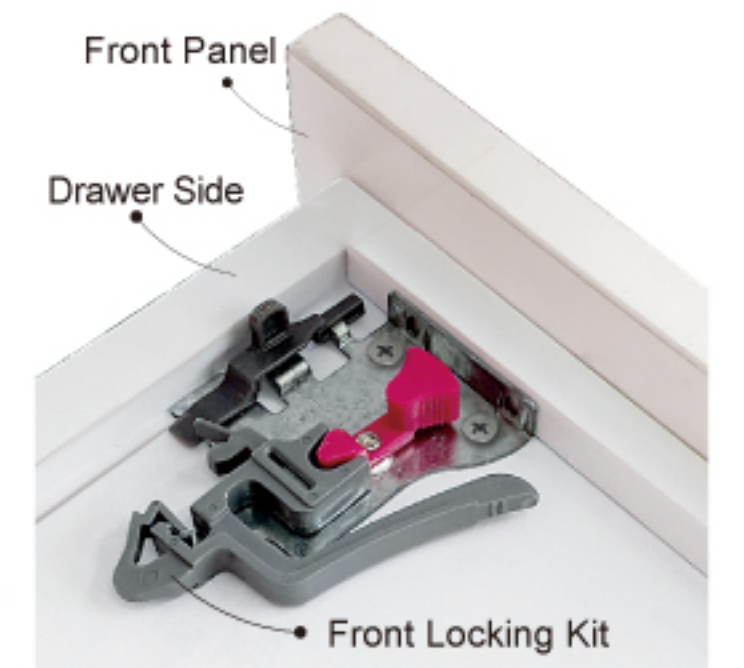
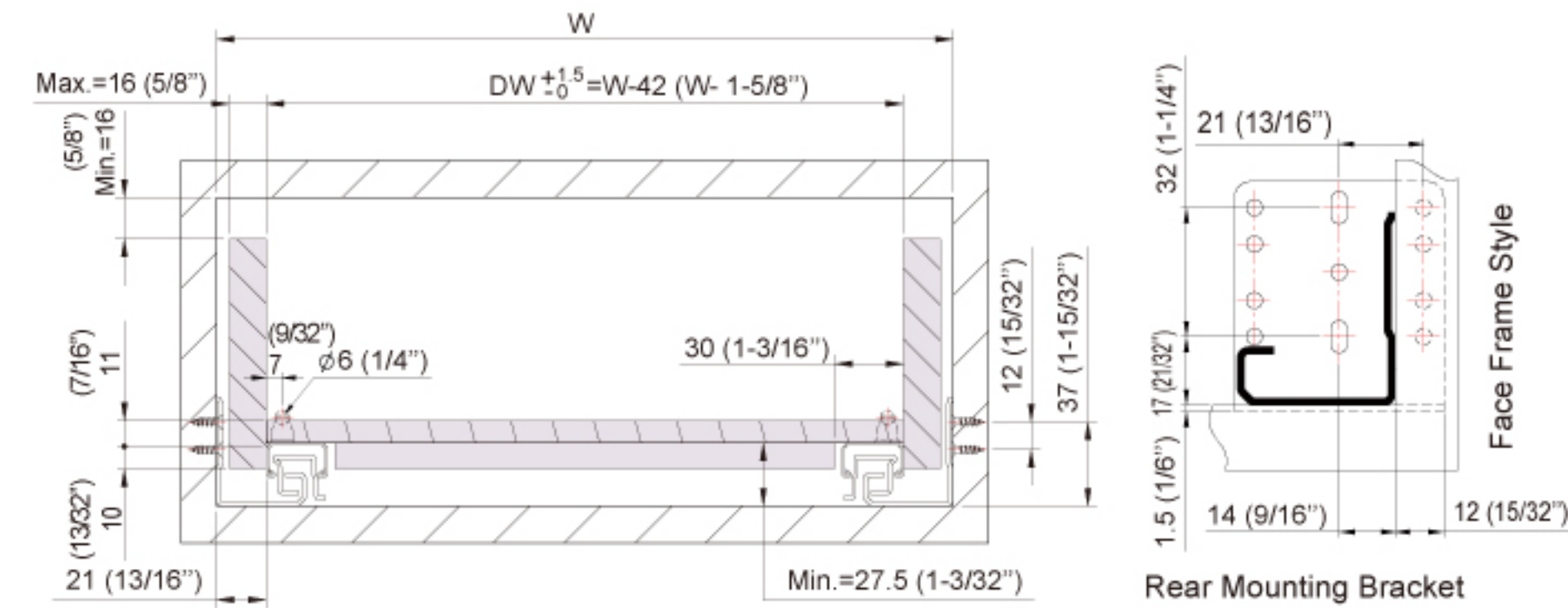
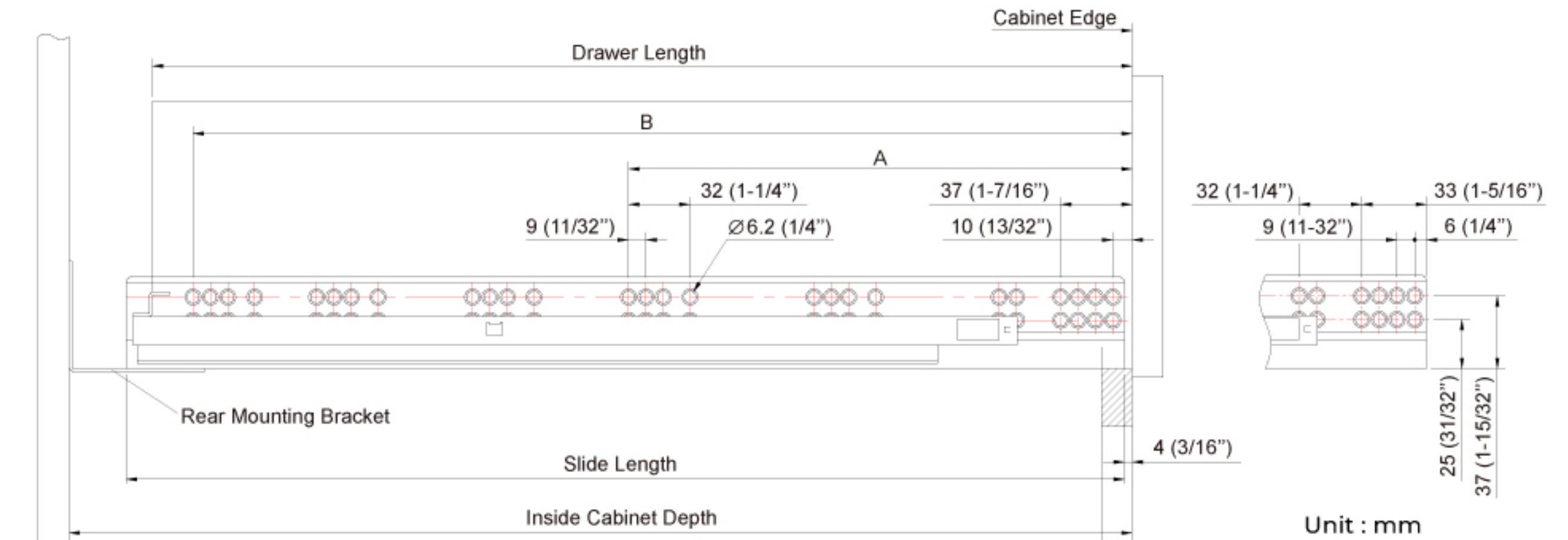
L72193A



- For Face Frame Application
- For 4-Side Drawer
- Front Assembly Kit
- With Rear Mounting Bracket
- Full Extension
- Soft Closing, Oil Damper
- Drawer Side Thickness Max.16mm



Rear Mounting Bracket

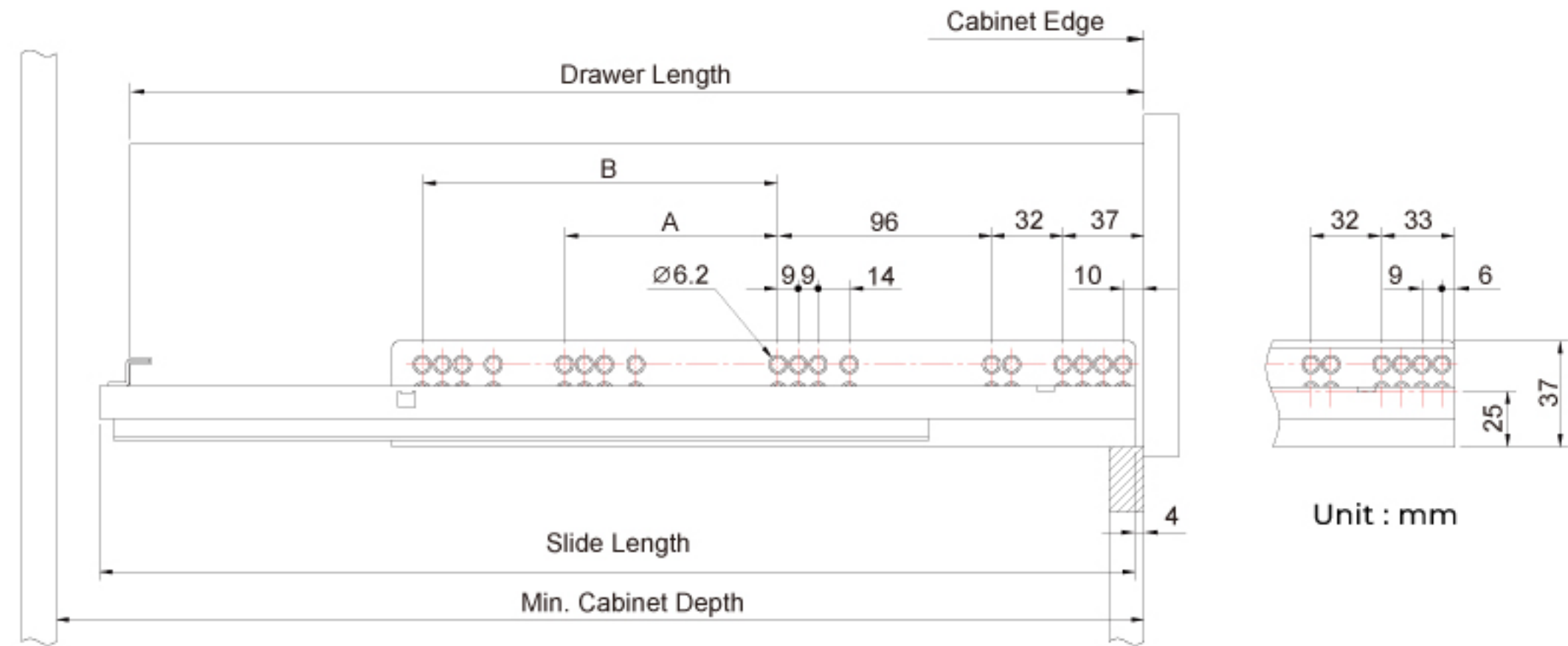


Item No.	Slide Length	Drawer Length	Inside Cabinet Depth W/Rear	A	B
L72193A-12	317 (12-1/2'')	305 (12'')	326~358 (12-7/8''~14-1/8'')	261 (10-1/4'')	-
L72193A-15	394 (15-1/2'')	381 (15'')	403~435 (15-7/8''~17-1/8'')	261 (10-1/4'')	-
L72193A-18	470 (18-1/2'')	457 (18'')	479~511 (18-7/8''~20-1/8'')	261 (10-1/4'')	453 (17-13/16'')
L72193A-21	546 (21-1/2'')	533 (21'')	555~587 (21-7/8''~23-1/8'')	261 (10-1/4'')	517 (20-3/8'')

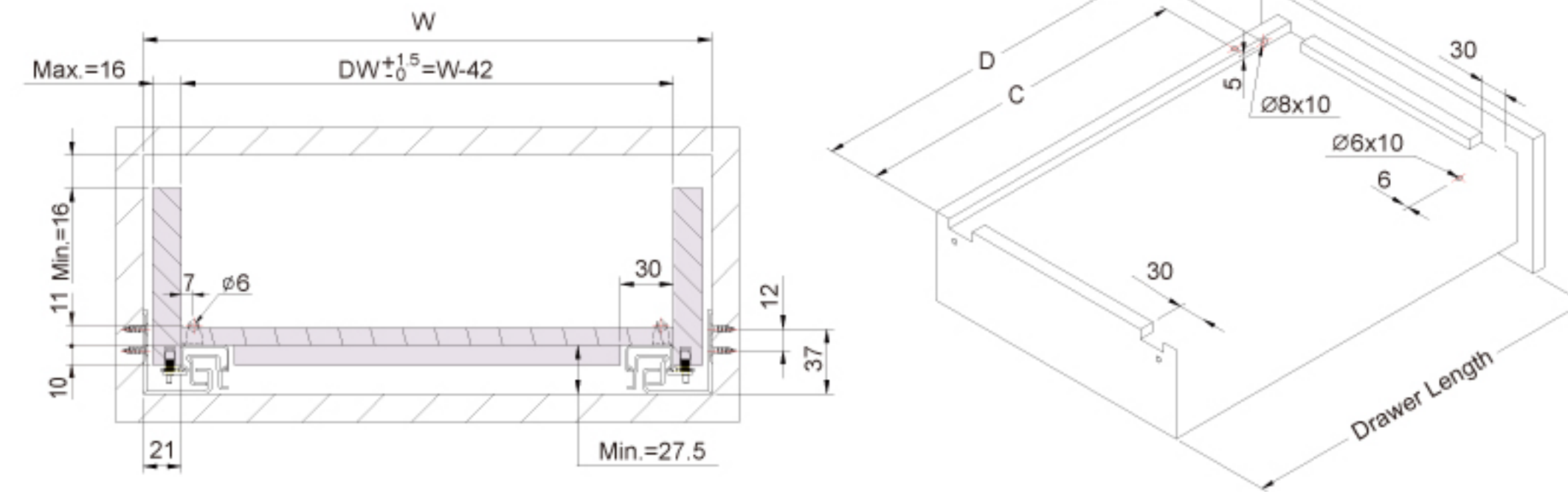
L72195



- For 3-Side Drawer
- Full Extension
- Soft Closing, Oil Damper
- Drawer Side Thickness Max.16mm



Unit : mm

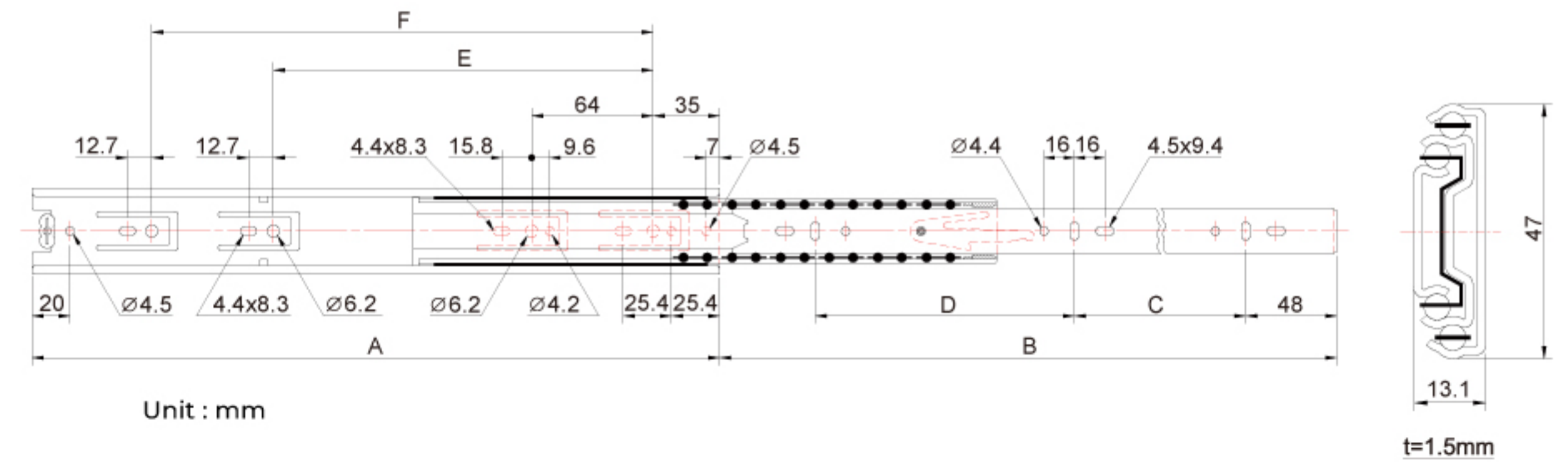
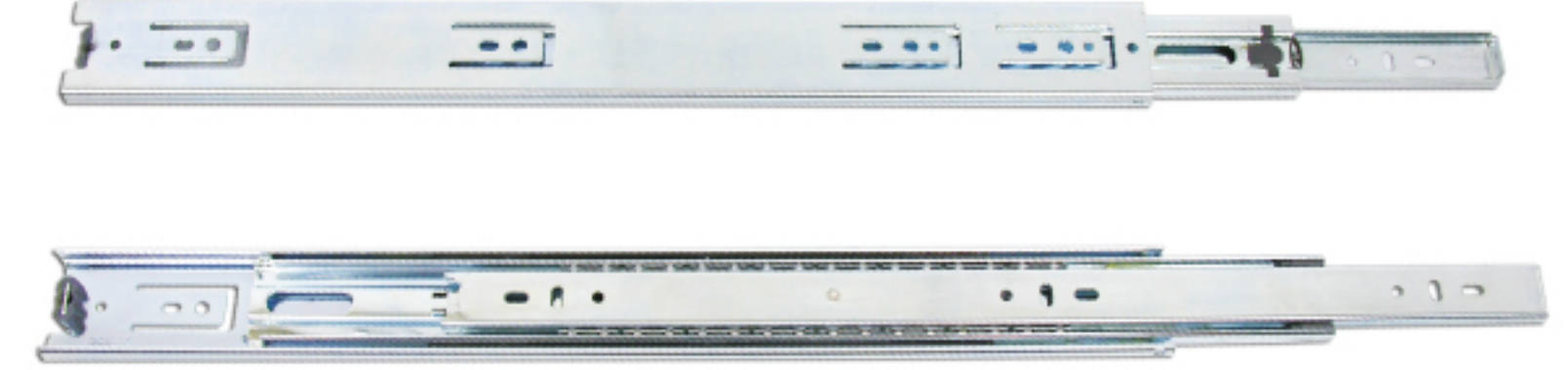


Item No.	Slide Length	Drawer Length	Min. Cabinet Depth	A	B	C	D
L72195-300	300	290	315	64	-	245	255.5
L72195-350	350	340	365	64	-	270	280.5
L72195-400	400	390	415	96	-	305	319.5
L72195-450	450	440	465	96	-	330	369.5
L72195-500	500	490	515	96	160	355	419.5
L72195-550	550	540	565	96	160	390	469.5

L47100



- Detent-in
- 32mm System Hole
- Lever Disconnect



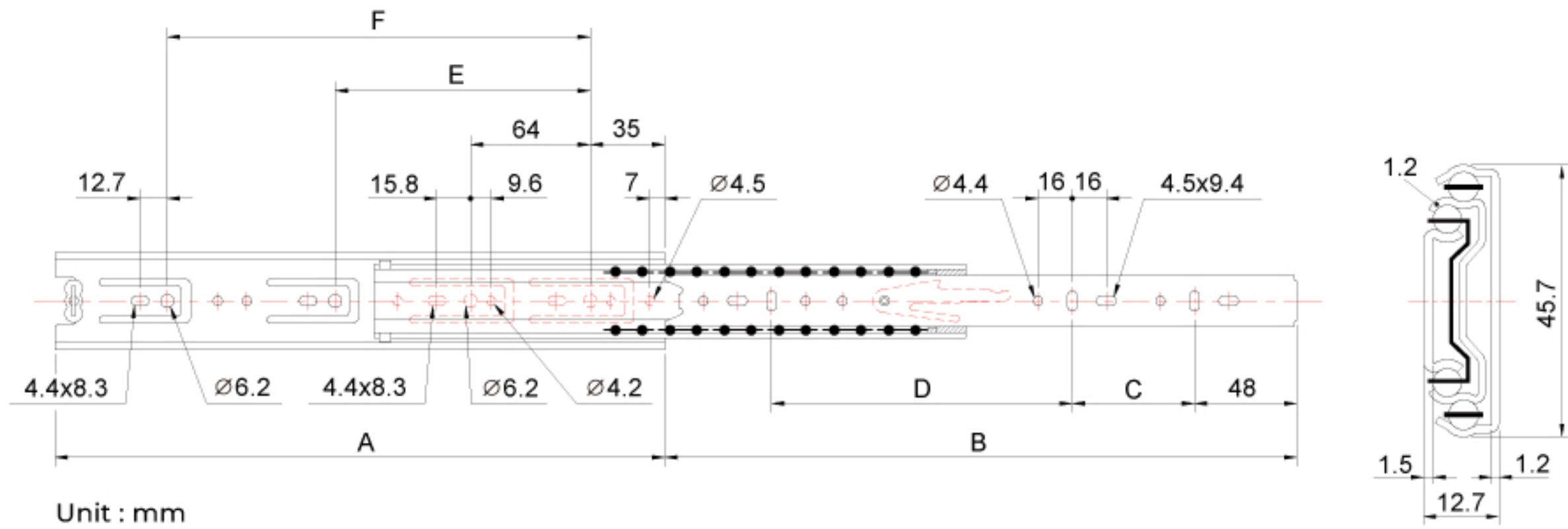
Unit : mm

Item No.	A Slide Length	B Slide Travel	C	D	E	F
L47100-250	250	250	160	-	160	-
L47100-300	300	302	192	-	192	-
L47100-350	350	354	96	160	224	-
L47100-400	400	400	128	160	224	320
L47100-450	450	452	160	192	224	352
L47100-500	500	515	192	224	224	416
L47100-550	550	558	192	256	224	416
L47100-600	600	600	224	288	224	480
L47100-650	650	650	256	288	224	544
L47100-700	700	705	256	352	224	576

L46104A



- Detent-in
- 32mm System Hole
- Lever Disconnect

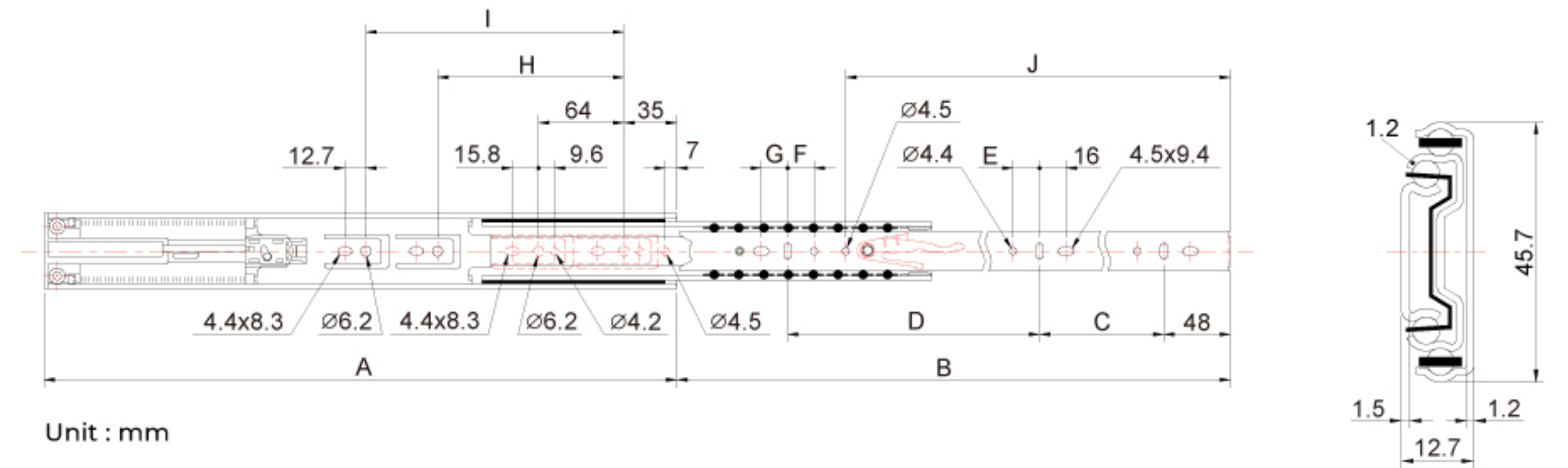


Item No.	A Slide Length	B Slide Travel	C	D	E	F
L46104A-300	300	300	192	-	192	-
L46104A-350	350	350	96	160	224	-
L46104A-400	400	400	128	160	224	320
L46104A-450	450	450	160	192	224	352
L46104A-500	500	500	192	224	224	416
L46104A-550	550	550	224	224	224	448

L46177



- Soft Closing, Oil Damper
- 32mm System Hole
- Lever Disconnect

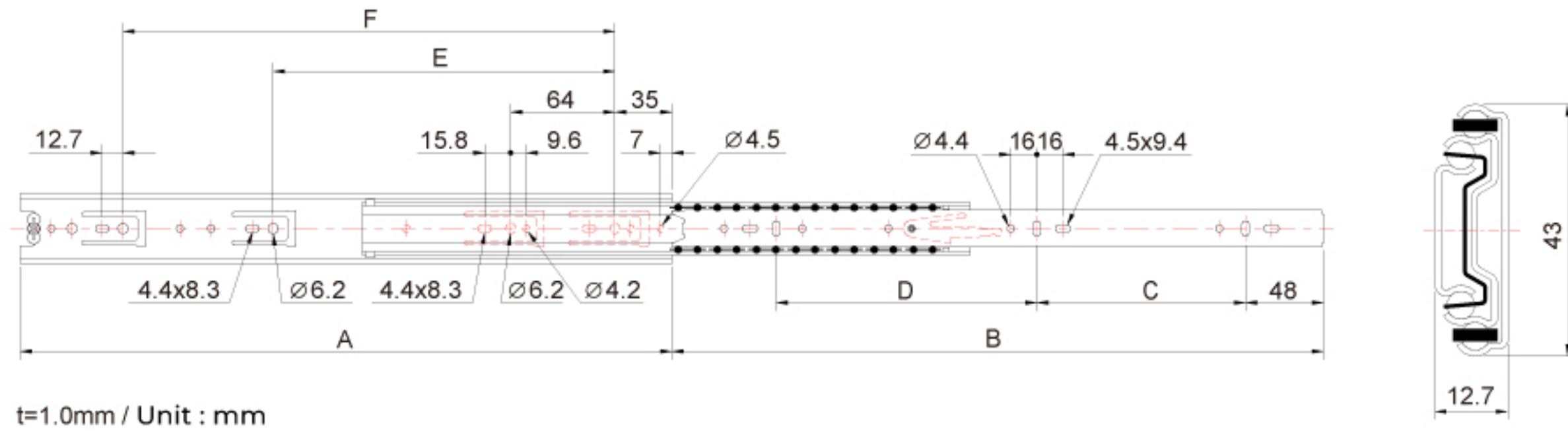
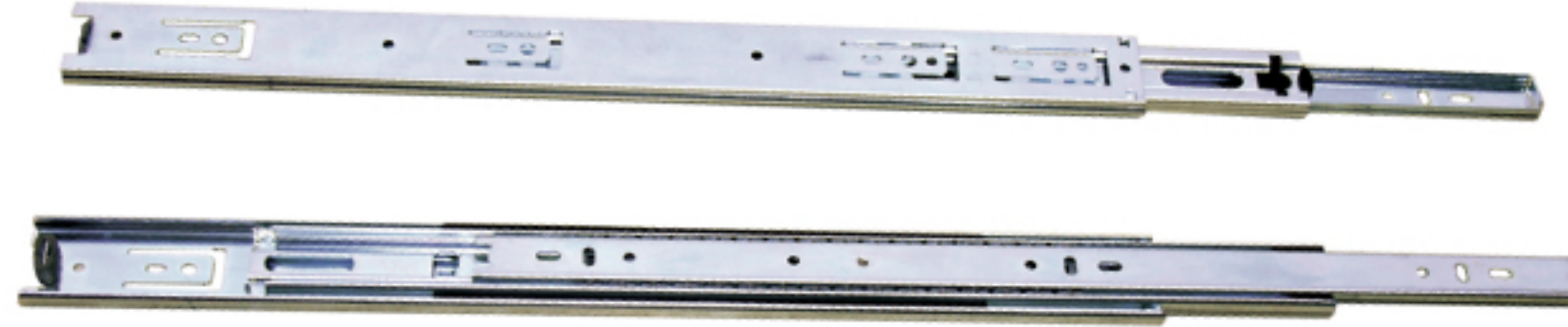


Item No.	A Slide Length	B Slide Travel	C	D	E	F	G	H	I	J
L46177-355	355	350	128	-	-	-	-	128	-	-
L46177-405	405	400	160	-	16	-	-	160	-	-
L46177-450	450	450	160	-	16	-	-	224	-	336
L46177-500	500	500	192	128	16	16	16	256	-	-
L46177-550	550	550	224	160	16	16	-	224	320	-
L46177-600	600	600	256	160	16	16	16	224	352	-
L46177-650	650	650	256	192	16	16	16	224	416	-
L46177-700	700	700	288	224	16	16	16	224	448	-

L43110A



- Detent-in
- 32mm System Hole
- Lever Disconnect

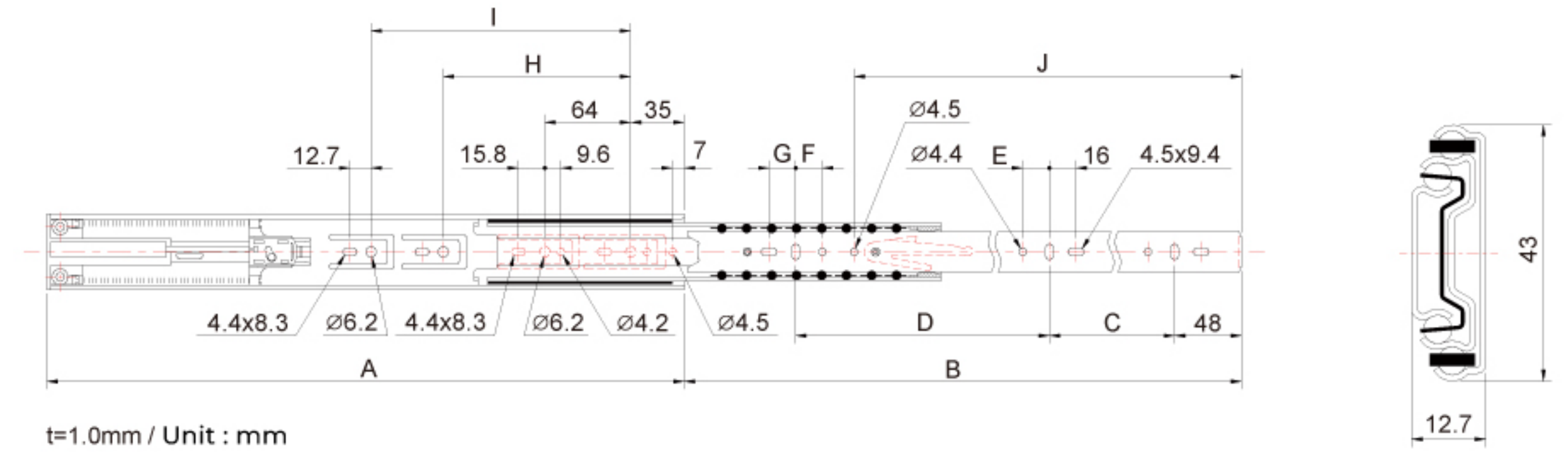
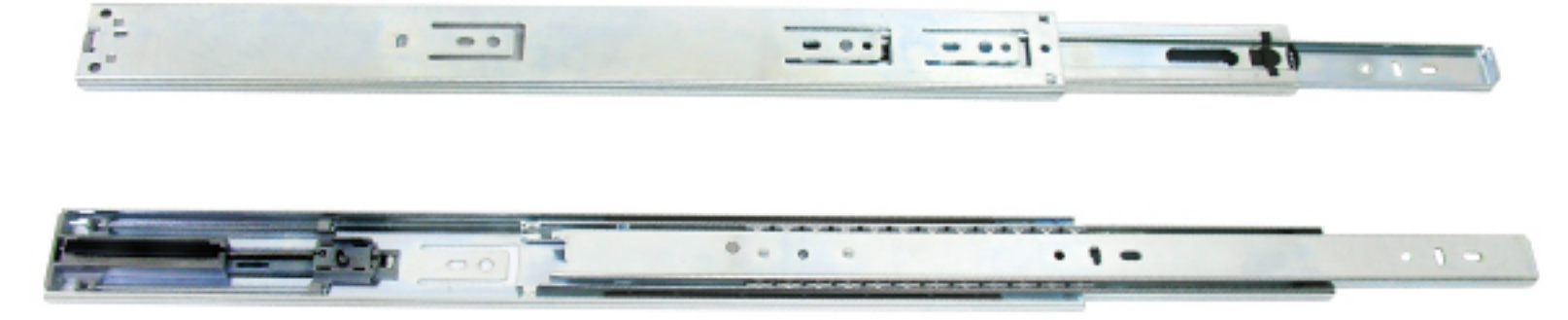


Item No.	A Slide Length	B Slide Travel	C	D	E	F
L43110A-250	250	250	160	-	160	-
L43110A-300	300	300	192	-	192	-
L43110A-350	350	350	96	160	224	-
L43110A-400	400	400	128	160	224	320
L43110A-450	450	450	160	192	224	352
L43110A-500	500	500	192	224	224	416
L43110A-550	550	550	224	224	224	448
L43110A-600	600	600	224	288	224	480
L43110A-650	650	650	256	288	224	554
L43110A-700	700	700	256	352	224	576

L43177



- Soft Closing, Oil Damper
- 32mm System Hole
- Lever Disconnect

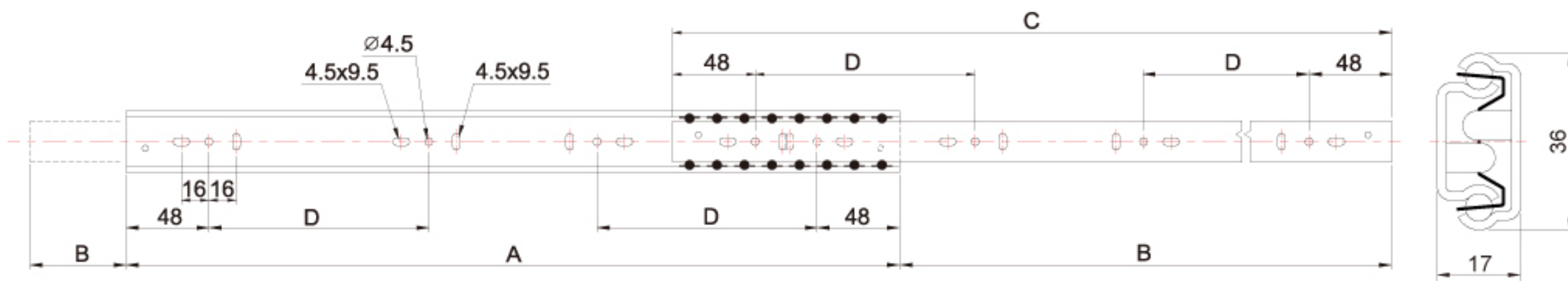


Item No.	A Slide Length	B Slide Travel	C	D	E	F	G	H	I	J
L46177-355	355	350	128	-	-	-	-	128	-	-
L46177-405	405	400	160	-	16	-	-	160	-	-
L46177-450	450	450	160	-	16	-	-	224	-	336
L46177-500	500	500	192	128	16	16	16	256	-	-
L46177-550	550	550	224	160	16	16	-	224	320	-
L46177-600	600	600	256	160	16	16	16	224	352	-
L46177-650	650	650	256	192	16	16	16	224	416	-
L46177-700	700	700	288	224	16	16	16	224	448	-

L35170



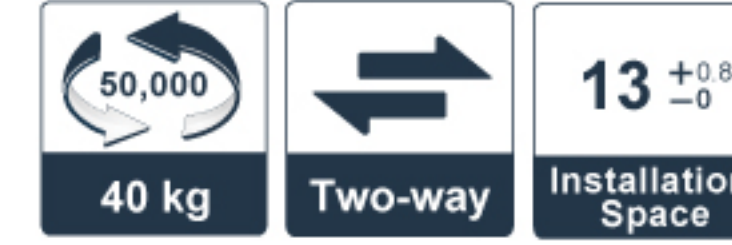
- Two-way Travel
- 32mm System Hole



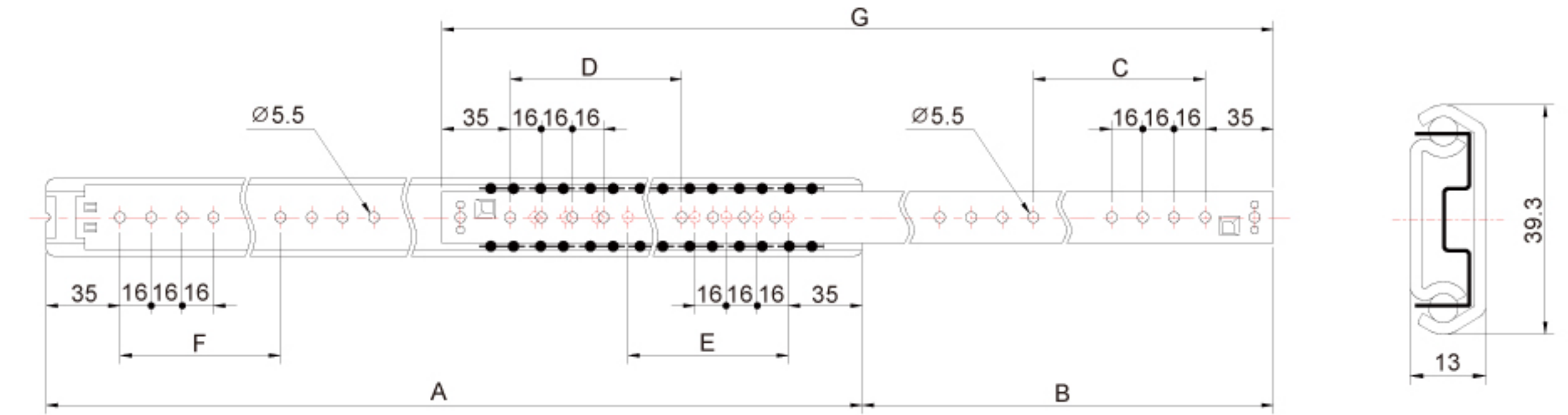
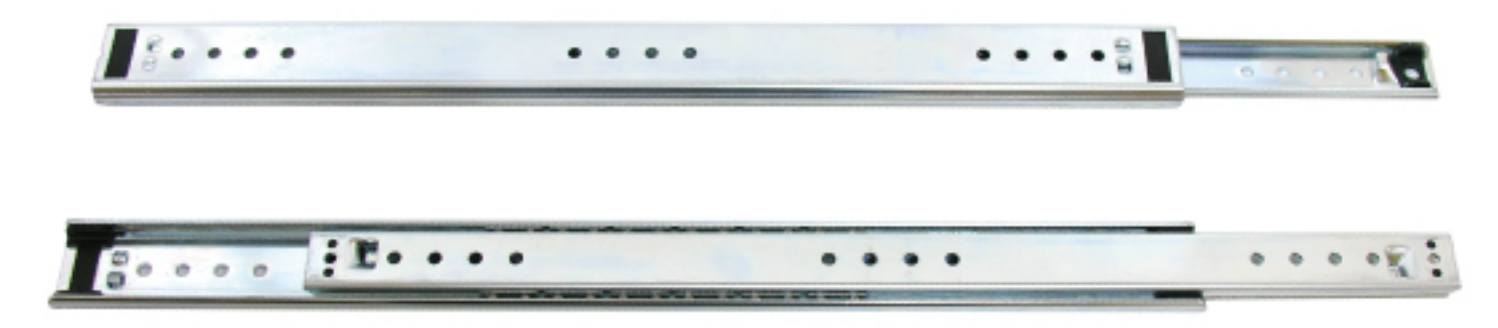
t=1.8mm / Unit : mm

Item No.	A Slide Length	B Slide Travel	C	D
L35170-400	400	284	400	128
L35170-450	450	318	450	128
L35170-500	500	352	500	128
L35170-550	550	386	550	128
L35170-600	600	420	600	128
L35170-650	650	454	650	128
L35170-700	700	488	700	128

L39111



- Two-way Travel



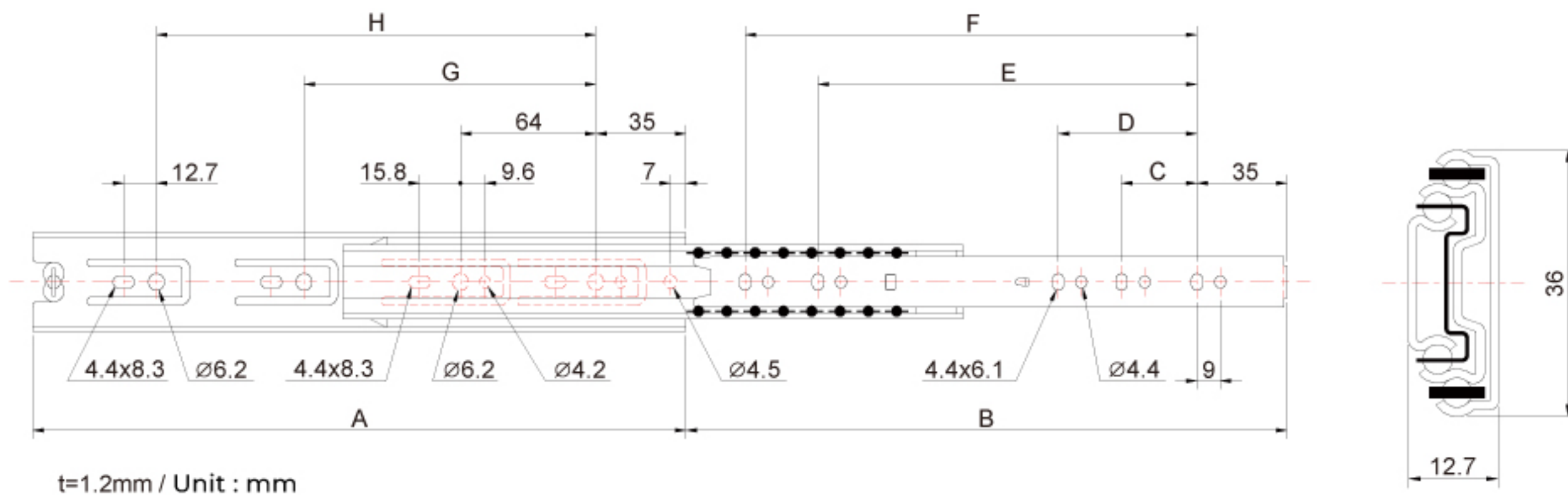
t=2.0mm / Unit : mm

Item No.	A Slide Length	B Slide Travel	C	D	E	F	G
L39111-457	457	265	169.5	-	169.5	-	457
L39111-508	508	290	195	-	195	-	508
L39111-559	559	315	220.5	-	220.5	-	559
L39111-610	610	341	246	-	246	-	610
L39111-660	660	390	271	-	271	-	660
L39111-711	711	415	296.5	-	296.5	-	711
L39111-762	762	440	322	-	322	-	762
L39111-813	813	465	290	290	290	290	813
L39111-864	864	490	290	290	290	290	864
L39111-914	914	540	290	290	290	290	914
L39111-965	965	570	290	290	290	290	965
L39111-1016	1016	595	290	290	290	290	1016
L39111-1067	1067	620	290	290	290	290	1067
L39111-1092	1092	645	290	290	290	290	1092

L35192



- Detent-in
- 32mm System Hole
- Latch Disconnect

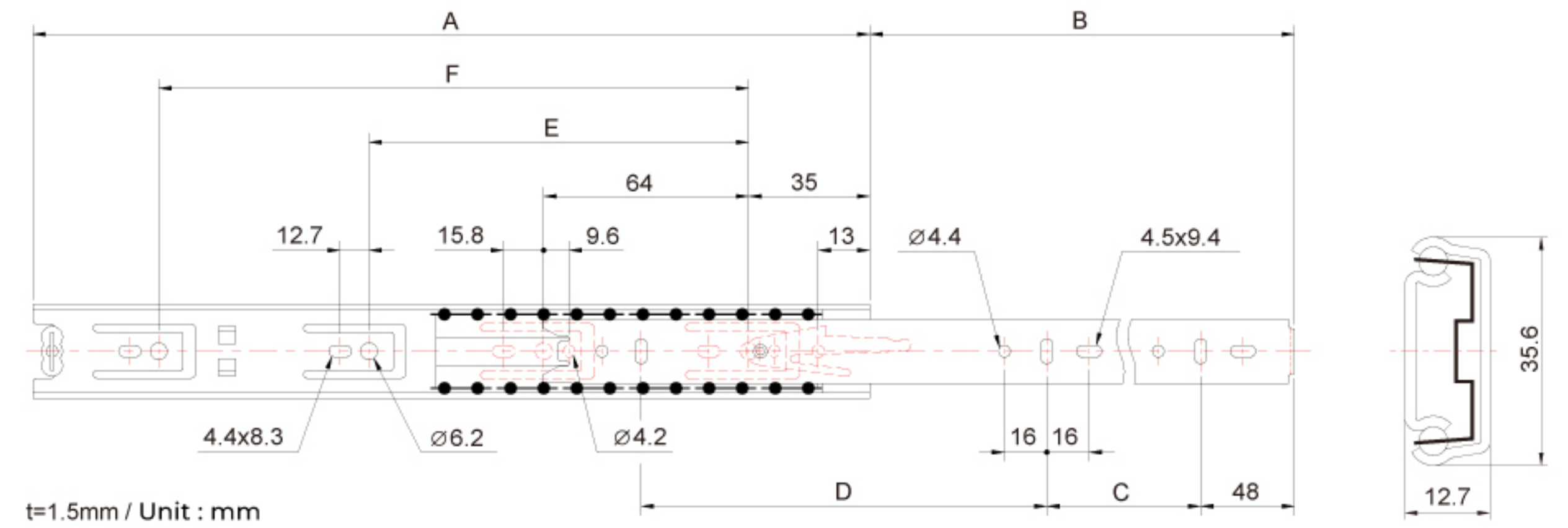


Item No.	A Slide Length	B Slide Travel	C	D	E	F	G	H
L35192-250	250	250	192	-	-	-	128	-
L35192-300	300	302	242	-	-	-	208	-
L35192-350	350	354	128	292	-	-	256	-
L35192-400	400	400	128	320	342	-	288	-
L35192-450	450	452	128	320	392	-	288	352
L35192-500	500	515	128	192	352	442	288	416
L35192-550	550	558	128	224	416	492	288	416
L35192-600	600	600	128	224	416	544	320	480

L35161





- Detent-in
- 32mm System Hole
- Lever Disconnect




Item No.	A Slide Length	B Slide Travel	C	D	E	F
L35161-250	250	188	96	-	144	-
L35161-300	300	215	128	96	224	-
L35161-350	350	245	96	160	256	-
L35161-400	400	300	128	192	320	-
L35161-450	450	338	160	192	288	352
L35161-500	500	375	192	224	288	416
L35161-550	550	413	192	256	288	416
L35161-600	600	450	224	288	320	480
L35161-650	650	488	256	288	352	544
L35161-700	700	525	256	320	352	576

 11F., No.53, Minguan W. Road, Taipei 10452, Taiwan

 886-2-2592-7733

 sunchain@sunchain.com.tw

 886-2-2592-7300

 www.sunchain.com.tw

WE'VE GOT YOUR BACK