



## E4216 / E4217 / E4216A / E4217A

- Single Fixing Point
- Quick Assembly
- Smooth Combination of Turning and Swinging
- Specify Left or Right Hand Use
- Maximum Load Per Shelf: 15kg
- Material

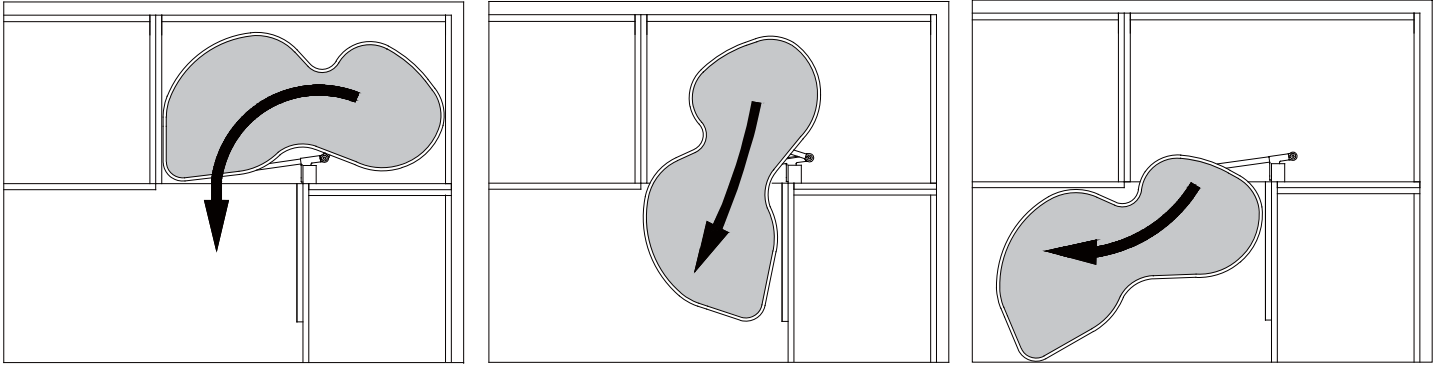
Tube: Steel, Powder Coating

Connector: Zamac, Powder Coating

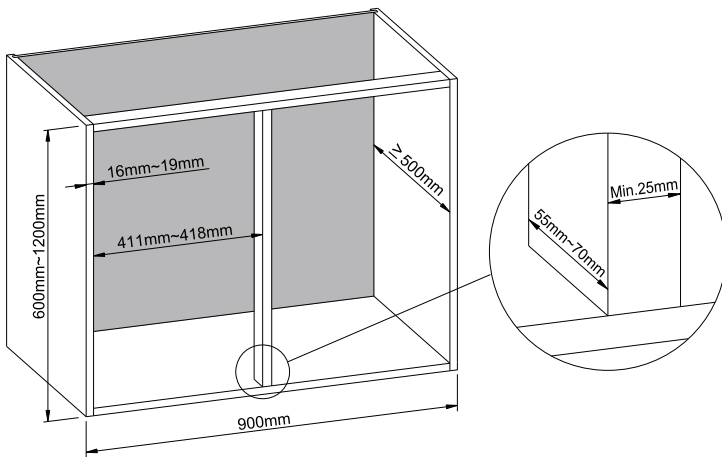
Shelf: Plywood, Powder Coating

Item No.	Swing	Cabinet Type
E4216	Right	W/ Post
E4217	Left	W/ Post
E4216A	Right	W/O Post
E4217A	Left	W/O Post

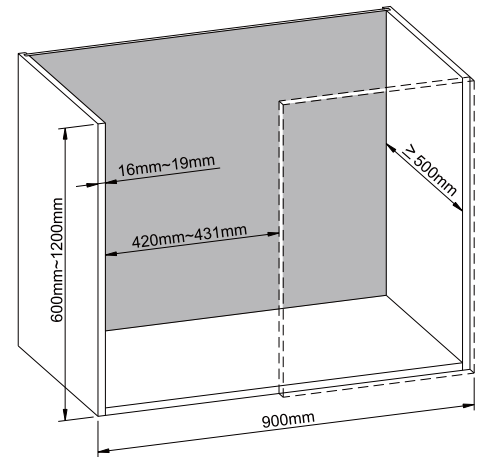




Cabine with Post



Cabinet without Post



Left Hand Unit Shown

